

1. Safety Instructions

- The device is not recommended to be placed on surface with low thermal conductivity, such as plastics, for example.
- The device is built in unit and must be installed in an enclosure. T_c required by IEC/EN61347-1 should be defined and evaluated in end-application.
- For safety reason, please ensure the mounted device is kept at ≥ 8mm safety distance for D1 from other components and equipments; and ≥ 4mm distance for D2. Please insert an insulation sheet between the system and product, if the safety distance is < 8mm for D2 (Refer to Fig. 2)
- Installation of forced air, to ensure sufficient air flow, always maintain a distance and air flow direction as recommended in Fig. 3, while the device is in operation.
- Note that the device can become very hot depending on the ambient temperature and load of the power supply. Do not touch the device while it is in operation or immediately after power is turned OFF. Risk of burning!
- Do not touch the terminals while power is being supplied. Risk of electric shock.
- Prevent any foreign metal, particles or conductors from entering the device through the openings during installation. It may cause: Electric shock; Safety Hazard; Fire; Product failure
- Warning: The power supply must be mounted by metal screws onto a grounded metal surface. It is highly recommended that the Earth terminal on the connector be connected to the grounded metal surface.

2. Device Description

Refer of Fig .1.:

	Description	PIN No.	Function
①	Input connector (CN1)	1	Line (L)
		2	Neutral (N)
		3	FG
②	Output connector (CN2)	1	V1(-)
		2	V1(-)
		3	V1(+)
		4	V1(+)

3. Installation of the Device

The unit is protected with internal fuse (not replaceable) at L pin and it has been tested and approved on 20A (UL) and 16A (IEC) branch circuits without additional protection device.

Refer to Fig .1.:

Ⓐ	Mounting holes for the Open Frame type of power supply. ¹⁾
Ⓑ	Mounting holes should be connected to the system's protective earthing (PE). ¹⁾
Ⓒ	This surface belongs to customer's end system or panel where the power supply is mounted.

1) Note: 4 × Ø3.5 Mounting Holes; Ø5.5 Max Dimension of Screw Head. Recommended mounting torque for tightening: 4-8Kgf.cm.

- Please refer the table below for the recommended housing, terminal and AWG wire size.

	Power Supply Header	Mating Connector	Terminal	AWG
①	Input Tyco/Amp	1-1123724-3	1-1123722-5	18
②	Output Tyco/Amp	1-1123723-4	1-1123722-4	

4. Power Derating Curve (Refer to Fig. 4)

5. Installation of Forced Air (Refer to Fig. 5)

To ensure sufficient air speed as recommended in Fig. 5 while the device is in operation.

6. Fuse(F1)

Littelfuse Inc	477 Series	Rated 500Vac, T 4AH
Conquer Electronics Co.Ltd	UDE, UDE-A Series	Rated 500Vac, T 4AH

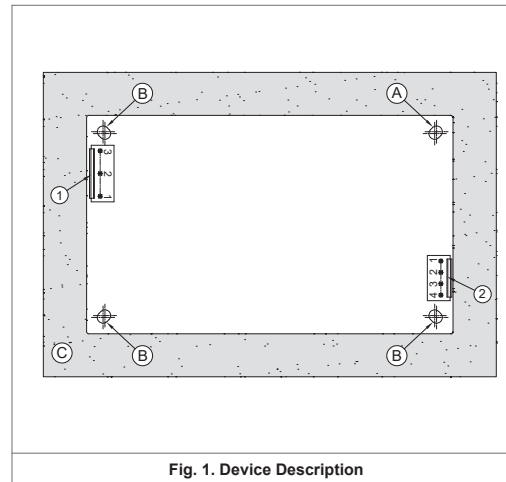


Fig. 1. Device Description

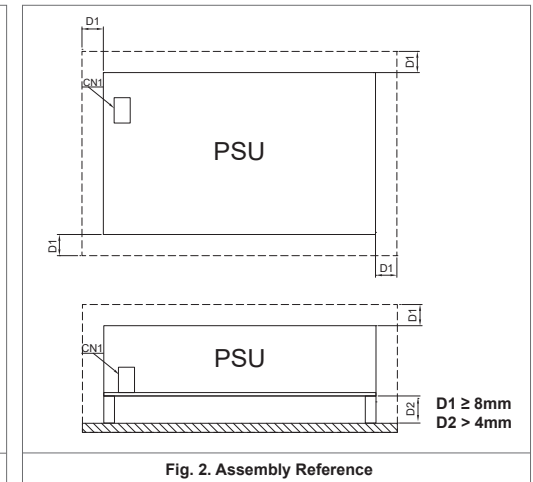


Fig. 2. Assembly Reference

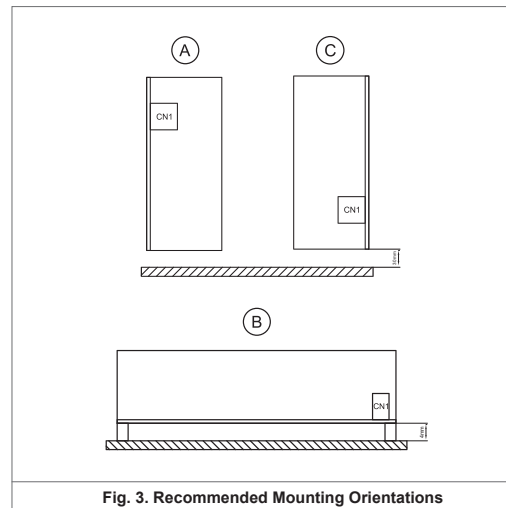


Fig. 3. Recommended Mounting Orientations

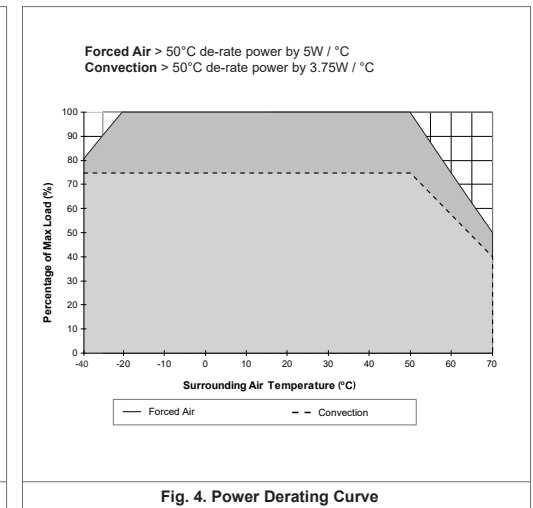


Fig. 4. Power Derating Curve

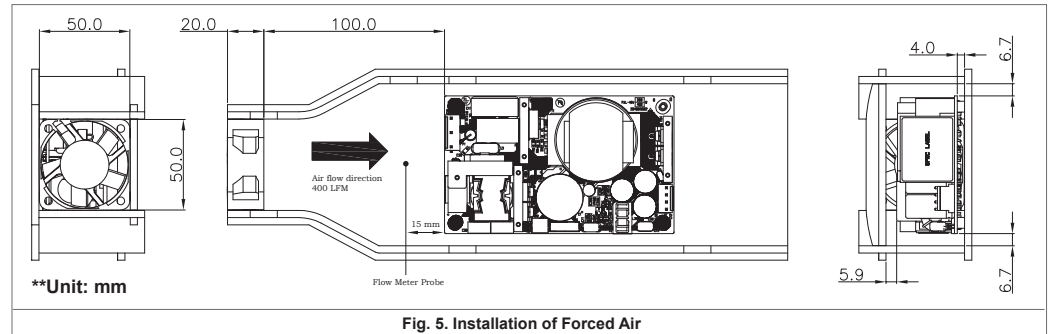


Fig. 5. Installation of Forced Air

1. 安全须知

- 不建议将电源置于低热传导表面诸如塑料之上。
- 电源系成套生产，必须安装于围护结构之内。机壳温度(Tc)应符合IEC/EN61347-1标准要求，经设定评估后方能于终端应用。
- 出于安全原因，敬请确保安装电源与其他任何部件或设备保留 $\geq 8\text{mm}$ 之安全距离 (D1)。若安全距离 (D2) $< 8\text{mm}$ 且 $\geq 4\text{mm}$ (参见图2)。请在系统与产品间插入绝缘板。
- 安装时为确保持强制通风所需的充足气流，电源运行时应始终留出足够空间，气流方向如图3建议。
- 注意，由于电源和负载工作，环境温度可能过高，电源可能发烫。电源运行时或电源关闭之初切勿触碰，小心烫伤！
- 电源供电时切勿触碰电源端口，小心电击。
- 安装过程中谨防任何外来金属、颗粒或导电材料从开口处进入设备，以免引发电击、安全隐患、火灾或产品故障。
- 警示：电源供应器必须作用金属螺丝安装于接地金属表面之上。最好将连接器接地端口连接至接地金属表面。

2. 脚位说明

参见图1:

	说明	PIN 序号	功能
①	输入连接器 (CN1)	1	火线 (L)
		2	零线 (N)
		3	FG
②	输出连接器 (CN2)	1	V1(-)
		2	V1(-)
		3	V1(+)
		4	V1(+)

3. 安装设备

设备火线端配备内部保险丝（不可拆卸），在不连接外部保险设备之状况下通过20A (UL) 及16A (IEC) 支线电路保护认证。

参见图1:

Ⓐ	开架式电源供应器安装孔 ¹⁾
Ⓑ	安装孔应连接至系统保护地线 (PE) ¹⁾
Ⓒ	此为用户终端系统或表面，电源供应器安装此上。

1) 备注：4 × Ø3.5 安装孔；Ø5.5 最大螺帽尺寸。建议旋紧扭力：4-8Kgf.cm

- 建议端子台/连接器及AWG电线尺寸参见下表。

		电源供应器针座	匹配连接器	端子台/连接器	AWG
①	输入 Tyco/Amp	1-1123724-3	1-1123722-5	1123721-1 or 1123721-2	18
②	输出 Tyco/Amp	1-1123723-4	1-1123722-4		18

4. 功率降额曲线（参见图4）

5. 安装强制通风（参见图5）

电源运行时应参照图5建议确保充足空间。

6. 保险丝 (F1)

生产商 Littelfuse Inc	477 系列	额定 500Vac, T 4AH
生产商 Conquer Electronics Co.Ltd	UDE, UDE-A 系列	额定 500Vac, T 4AH

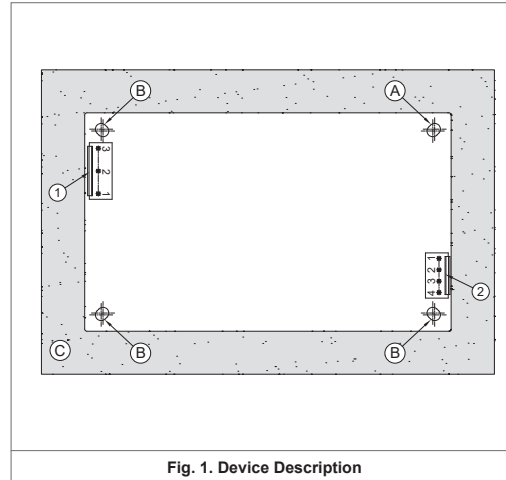


Fig. 1. Device Description

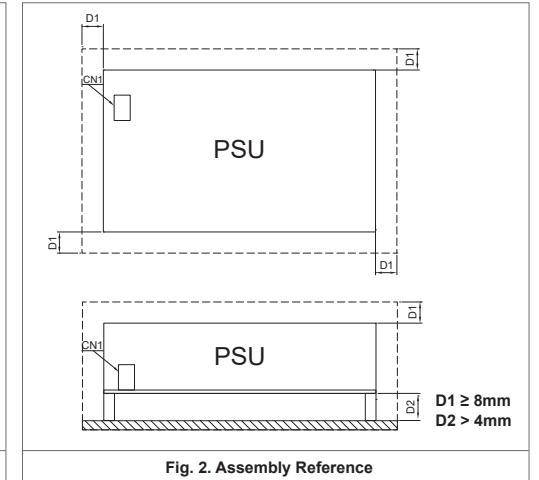


Fig. 2. Assembly Reference

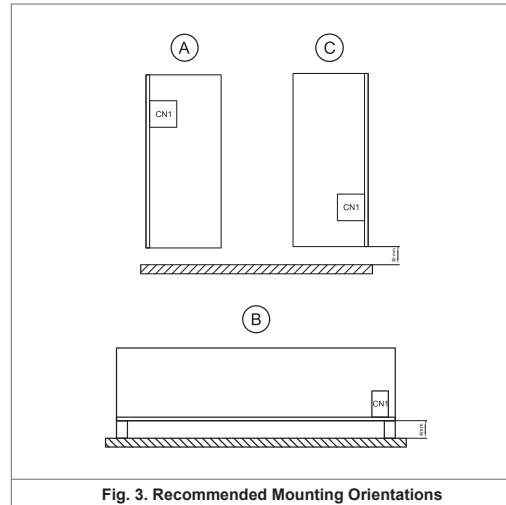


Fig. 3. Recommended Mounting Orientations

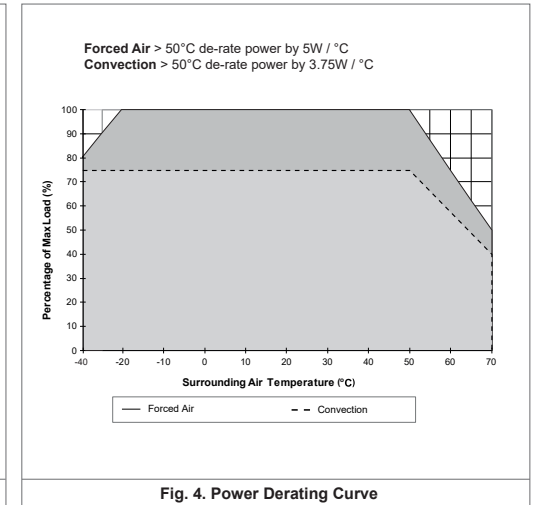


Fig. 4. Power Derating Curve

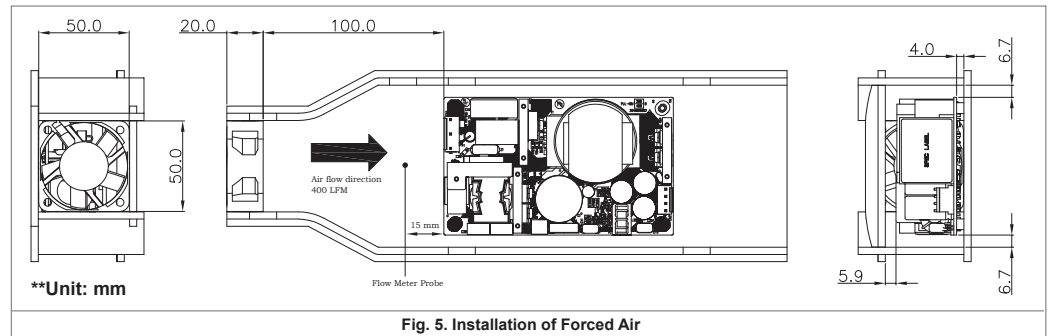


Fig. 5. Installation of Forced Air