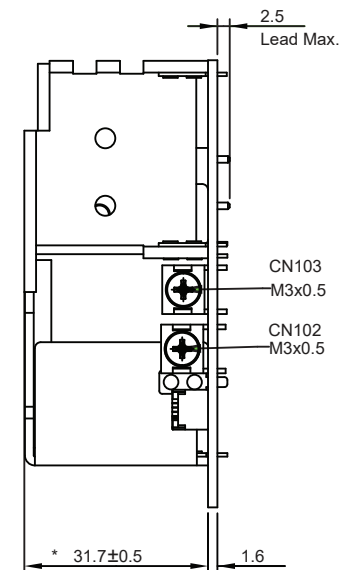
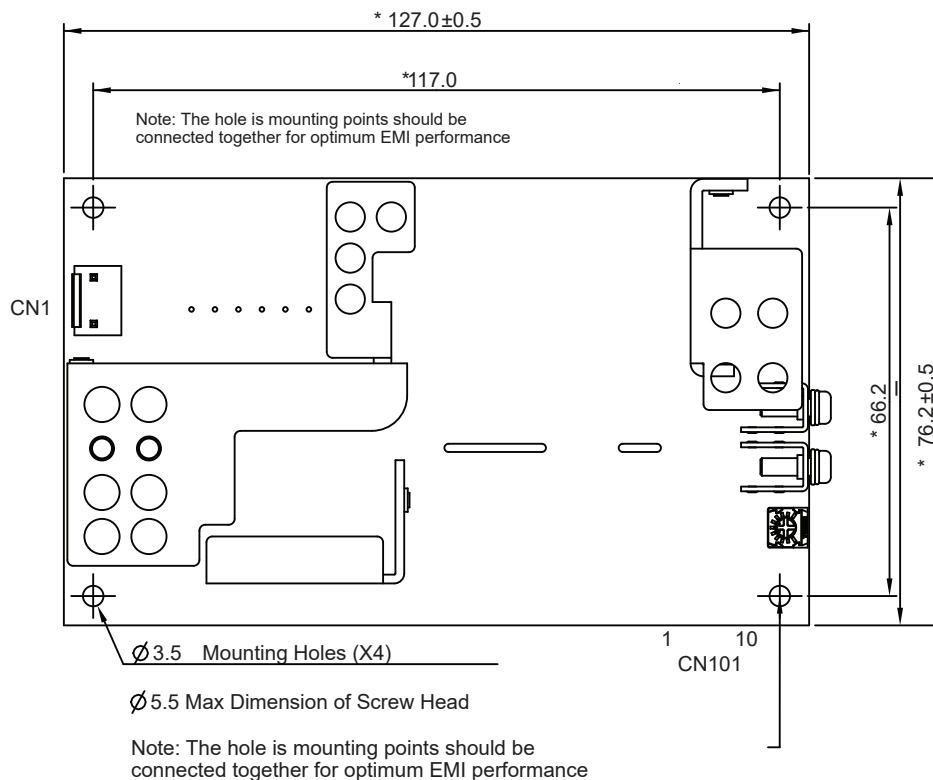




PJH Open Frame Power Supply

PJH-24V300WB□A, PJH-36V300WB□A



Connector type CN1, CN101	MODEL NAME
HN-JST, CN1: B2P3-VH(LF)(SN) C101: BM10B-SRSS-TB(LF)(SN)	PJH-24V300WBBA, PJH-24V300WBCA PJH-36V300WBBA, PJH-36V300WBCA

NOTES:

1. PRODUCT SHOULD BE CLEAN WITHOUT SCATCH, NO DENT AND FREE OF TOOLING MARK.
2. DIMENSIONS WITH " * " MARK MUST BE INSPECTED AND CONTROLLED STRICTLY BY IQC.
3. SPEC LABEL DETAIL AND PRINTING CONTENTS REFER TO SN
4. MUST MEET DELTA STANDARD : 10000-0162.
5. MODEL LIST: PJH-24V300WBBA PJH-24V300WBCA PJH-36V300WBBA PJH-36V300WBCA

Control and STANDBY connector CN101	
Pin 1	GND
Pin 2	Vsb
Pin 3	GND
Pin 4	Vsb
Pin 5	GND
Pin 6	INHIBIT
Pin 7	GND
Pin 8	Power Good
Pin 9	Remote sense -
Pin 10	Remote sense +

