

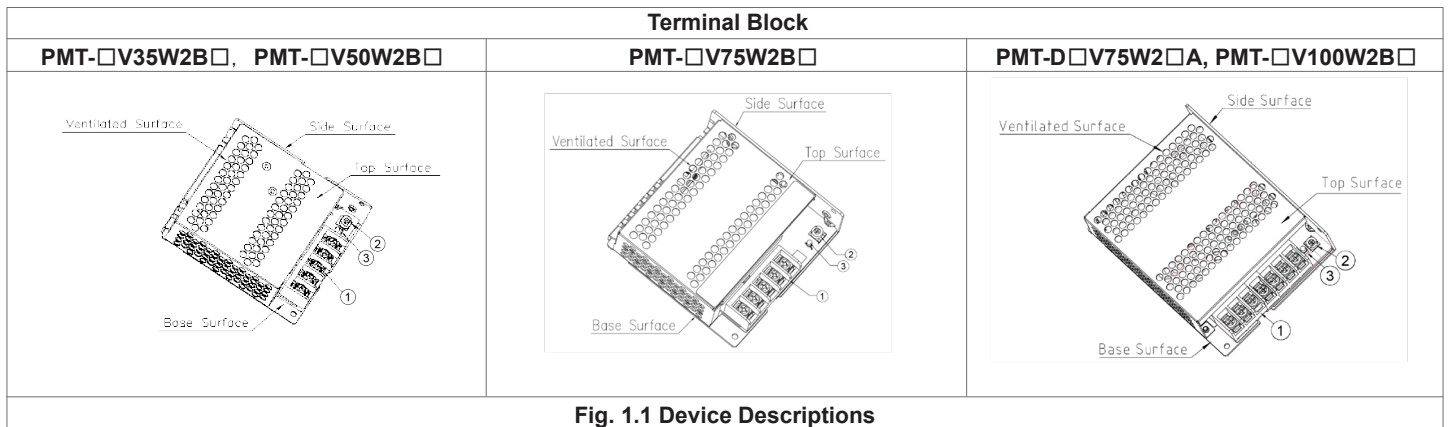
1. Safety Instructions

- If user's mounting orientation is not according to the recommended mounting orientations, please consult Delta for further information.
- To ensure sufficient convection cooling, always maintain a safety distance of $\geq 50\text{mm}$ (1.97 inch) from all ventilated surfaces while the device is in operation.
- The device is not recommended to be placed on low thermal conductive surface. For example, plastics.
- The enclosure of the device can become very hot depending on the ambient temperature and load of the power supply. Do not touch the device while it is in operation or immediately after power is turned OFF. Risk of burning!
- Do not touch the terminals while power is being supplied. Risk of electric shock.
- Prevent any foreign metal, particles or conductors from entering the device through the openings during installation. It may cause: Electric shock; Safety Hazard; Fire; Product failure
- The power supply must be mounted by metal screws onto a grounded metal surface. It is highly recommended that the Earth terminal on the connector be connected to the grounded surface.

2. Device Descriptions

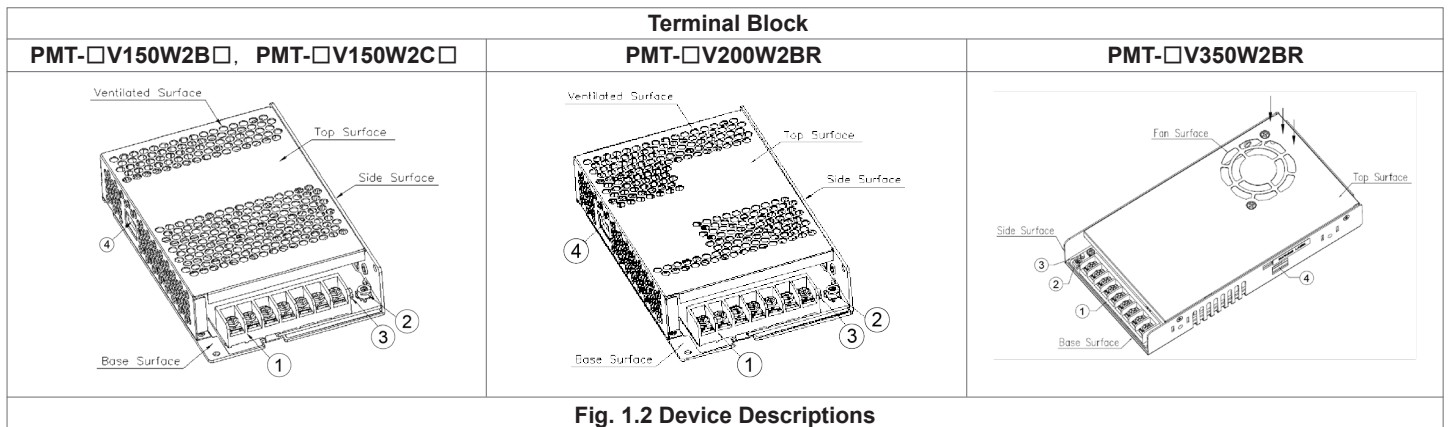
► (Refer to Fig. 1.1)

- ① Input & Output terminal block connector
- ② DC voltage adjustment potentiometer
- ③ DC OK control LED (Green)



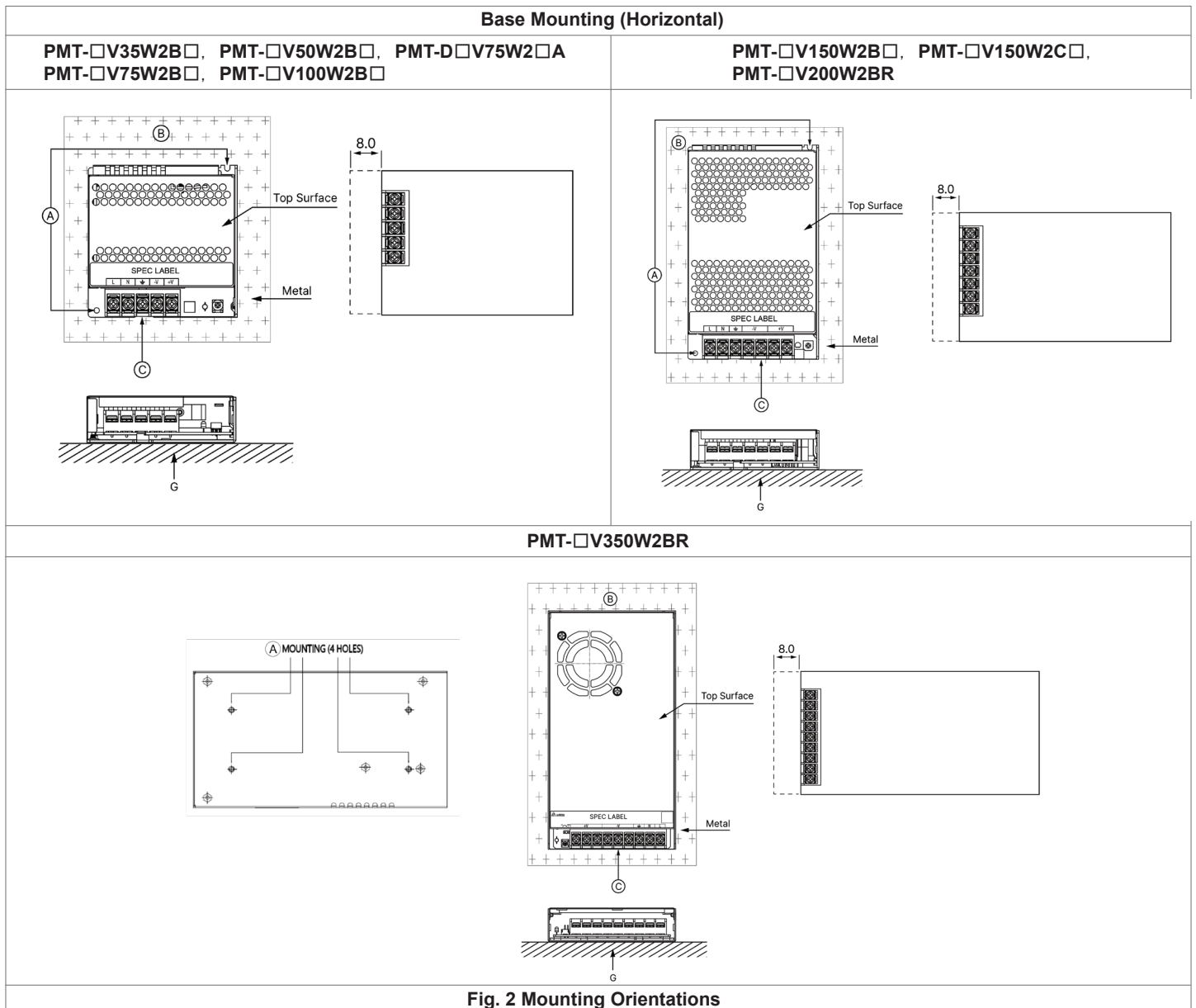
► (Refer to Fig. 1.2)

- ① Input & Output terminal block connector
- ② DC voltage adjustment potentiometer
- ③ DC OK control LED (Green)
- ④ AC selectable switch



3. Installation of the Device (Refer to Fig. 2)

- (A) Mounting holes for power supply assembly onto the mounting surface.
The power supply shall be mounted on minimum 2 mounting holes using M3 screw minimum 5mm (0.20 inch) length.
- (B) This surface belongs to customer's end system or panel where the power supply is mounted.
- (C) Connector



* If the device has to be mounted in any other orientation, please contact info@deltapsu.com for more details.

4. Wire AWG Table

Connector Type	Specifications	PMT-□V35W2B□	PMT-□V50W2B□	PMT-□V75W2B□	PMT-□V100W2B□	PMT-□V150W2□□	PMT-□V200W2BR	PMT-□V350W2BR
Terminal Block ¹⁾	Stranded or Solid Wire Size (AWG)	18-12	18-12	18-12	18-12	18-12	18-12	18-12

Notes:

Use flexible cable (stranded or solid) of AWG No. 18-12. User should calculate and select the suitable wire specification (type/quantity/diameter) according to actual output current. The torque at the Connector shall not exceed 8Kgf.cm. (6.94lbf.in). The insulation stripping length should not exceed 0.275" or 7mm

5. Installation of Mounting Accessories (Refer to Fig. 3)

- Only use M3 screw $\leq 3\text{mm}$ (0.20 inch) through the base mounting holes. This is to keep a safe distance between the screw and internal components.
- Recommended mounting tightening torque: 4~5 Kgf.cm. (3.47~4.33 lbf.in).

