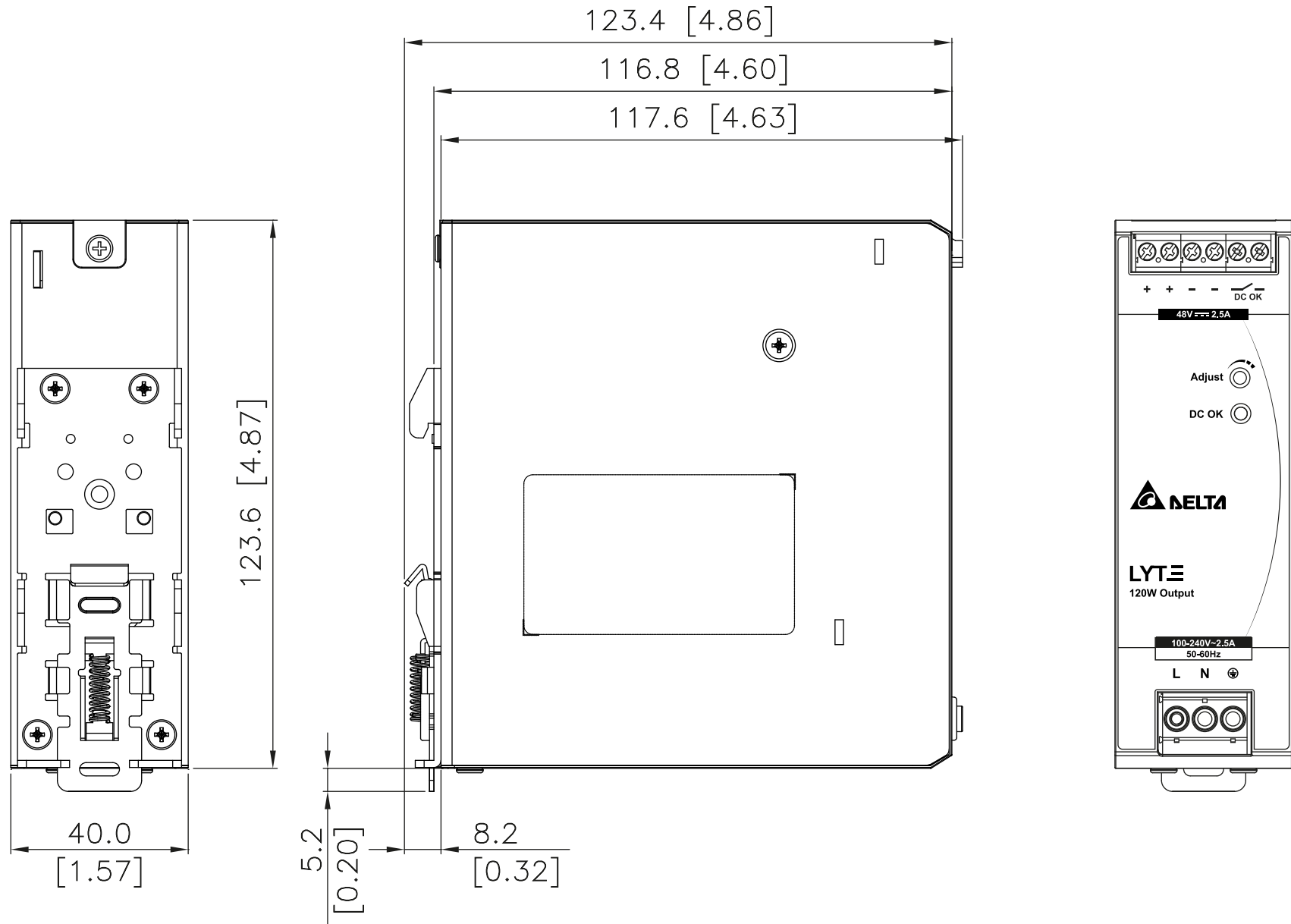




LYTE DIN Rail Power Supply

48V 120W 1 Phase / DRL-48V120W1AS





LYTE DIN Rail Power Supply

48V 120W 1 Phase / DRL-48V120W1AA

