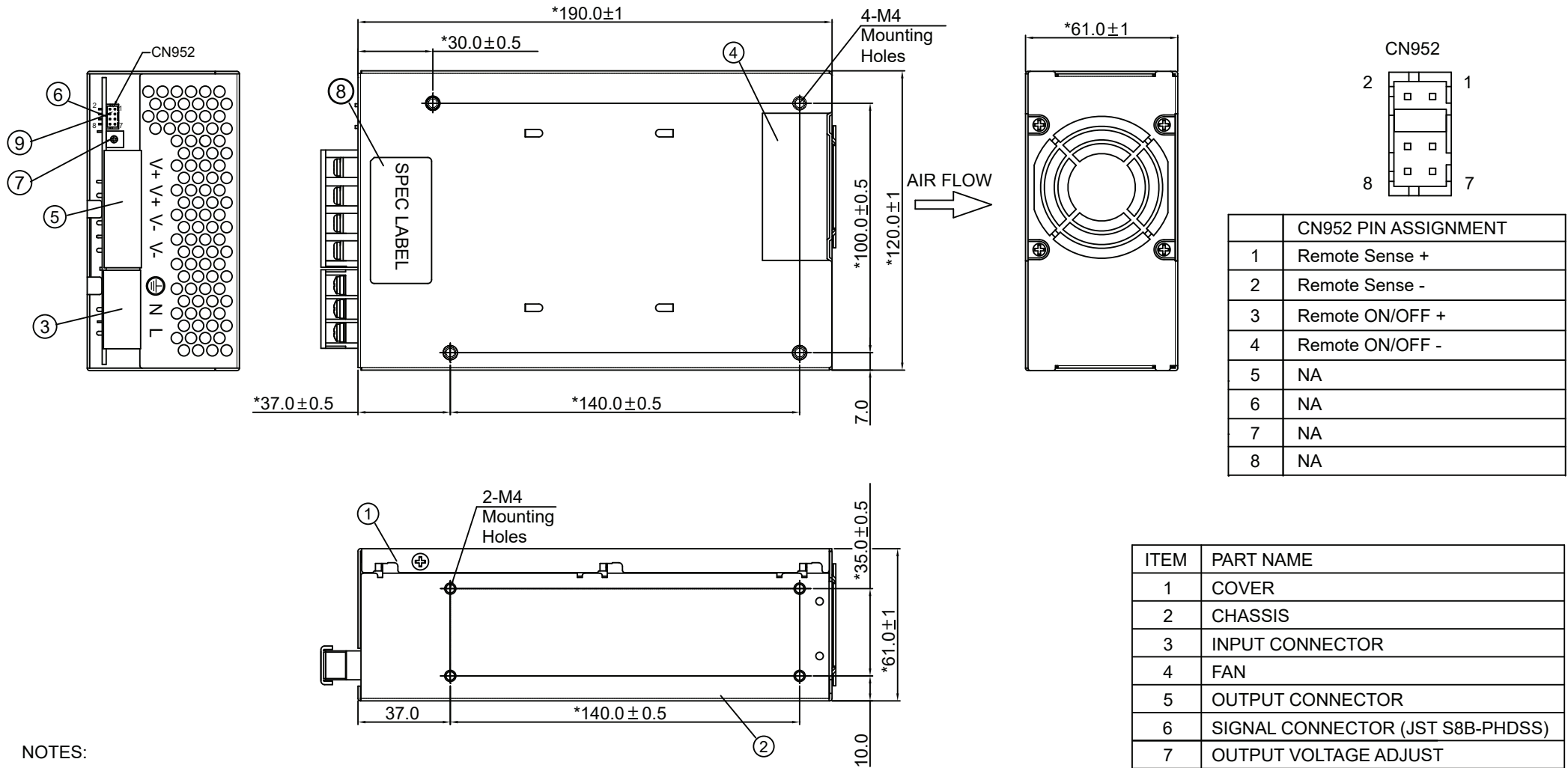


# PMC Panel Mount Power Supply

## PMC-24V600W1RW



Item	Part Name
1	COVER
2	CHASSIS
3	INPUT CONNECTOR
4	FAN
5	OUTPUT CONNECTOR
6	SIGNAL CONNECTOR (JST S8B-PHDSS)
7	OUTPUT VOLTAGE ADJUST
8	SPEC LABEL
9	JUMPER CONNECTOR

### NOTES:

1. MARK MUST BE INSPECTED AND CONTROLLED STRICTLY BY QA.
2. MOUNTING TORQUE : 7.0Kgf-cm MAX
3. TERMINAL BLOCK SCREW TIGHTENING TORQUE - Input : 13.5kgf-cm MAX  
Output : 18.4 kgf-cm MAX