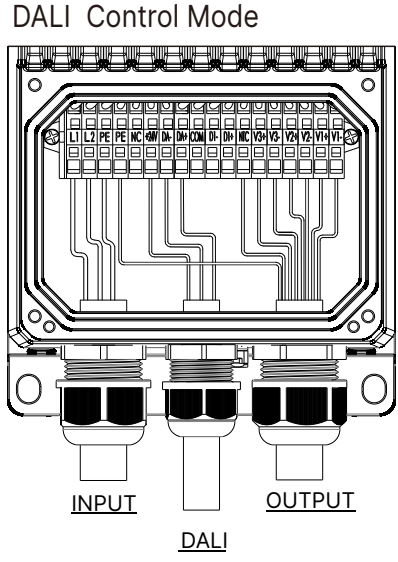
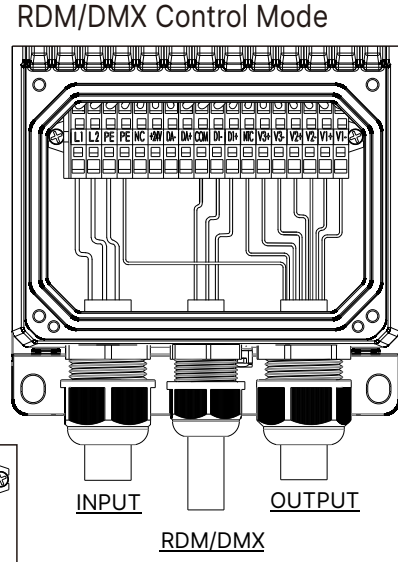
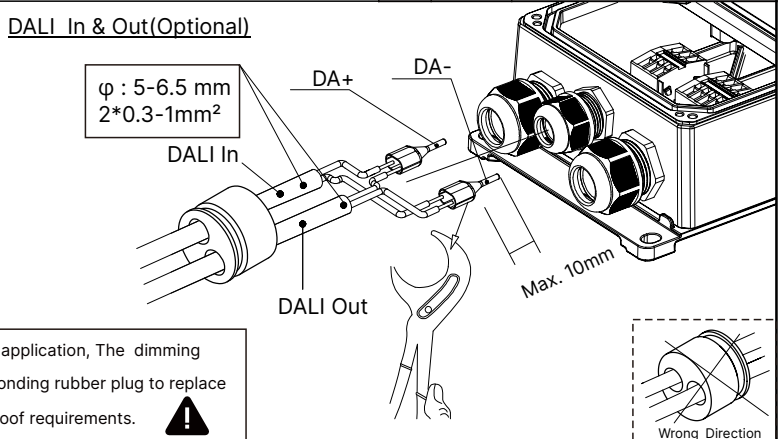
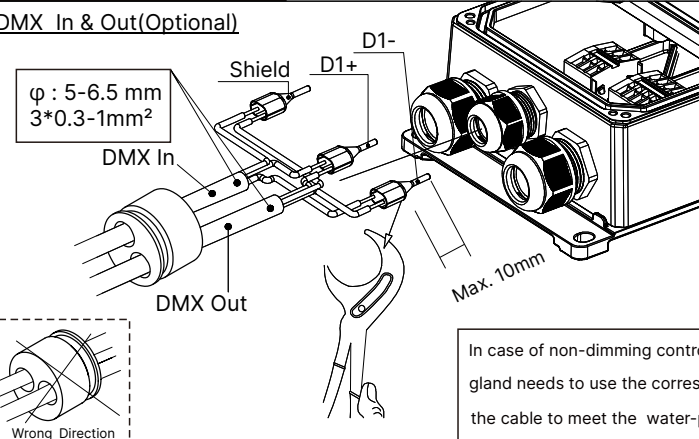


There are 2 mounting holes at either end of the LED driver, Mountings shall be done using M8 screws with minimum length of 12mm, If customer's end system or panel where LED driver is mounted does not have screw threads, please use the suitable metal screws and nuts to secure the LED driver. (Location @ and ① )

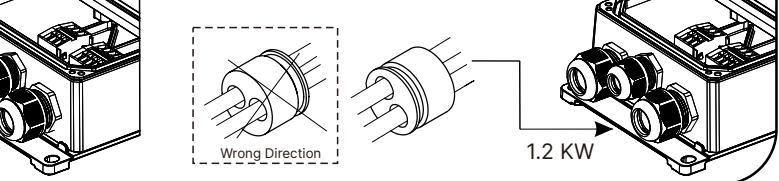
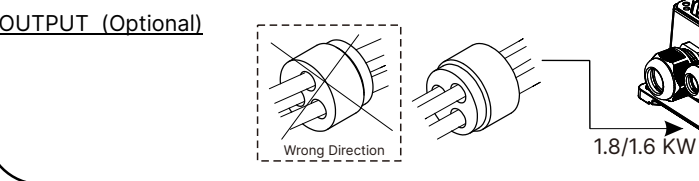
-The wiring should be strictly followed by the marking label instruction, Otherwise the product could be damaged or the functions could be affected.  
-Each set of + or - are not potential identical, cross connection is prohibited.  
-For connection use wire rated for at least 75°C



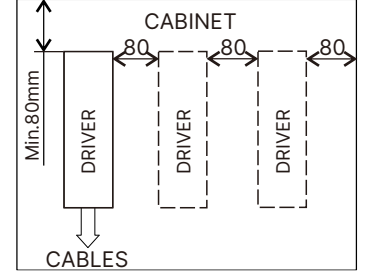
NO.	Marker	Description
1	L1	AC input
2	L2	AC input
3	PE	Protective Earth
4	PE	Protective Earth for luminaire
5	NC	Reserved
6	+24V	+24V/3W auxiliary circuit
7	DA-	DALI input - and ground of +24V
8	DA+	DALI input+
9	COM	DMX Common port/Shielding
10	D1-	DMX input-
11	D1+	DMX input+
12	NTC	Luminaire Temperature Detection
13	V3+	Channel 3 output+
14	V3-	Channel 3 output-
15	V2+	Channel 2 output+
16	V2-	Channel 2 output-
17	V1+	Channel 1 output+
18	V1-	Channel 1 output-



In case of non-dimming control application, The dimming gland needs to use the corresponding rubber plug to replace the cable to meet the water-proof requirements.

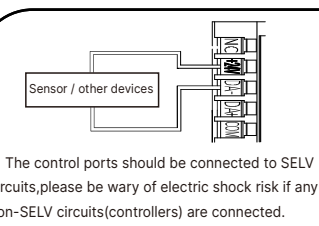


- ALWAYS switch mains of input power OFF before connecting and disconnecting the input voltage to the LED driver, if mains are not turned OFF, there is a risk of explosion/severe damage.
- To guarantee sufficient convection cooling, keep a distance of 80 mm above and lateral distance to nearby objects, and the installation orientation should follow the left figure.
- The LED driver is forbidden to be installed in areas that are prone to water or snow accumulation to avoid irreparable damage.
- The LED driver is not recommended to be placed on low thermal conductive surfaces. For example, plastics.
- DO NOT insert any objects into the LED driver.
- Note that the enclosure of LED driver can become very hot depending on the surrounding air temperature and output load connected to the LED driver. Risk of burns!
- When the PE (Green/Yellow) wire of LED driver is not connected, LED driver must be installed on a metal plate that has a PE connection.
- The current rating for the all wires, connected to the input and output wires of LED driver, must be rated higher than or equal to the input and output current of the power supply.
- Please ensure the correct tools are used for all adjustments and installations of LED driver. If in doubt, please consult your local Delta support or contact us via info@DeltaPSU.com.

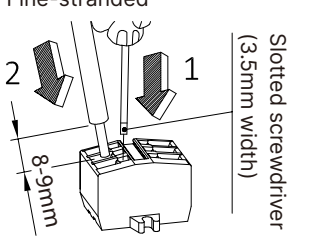


- Intended to be connected and grounded only to a fixed supply connection.
- Die-casting Aluminium alloy with coating
- IP66 IK08 UL, CCC, ENEC, CE, Class I
- Mass : 5.6kg(1K8/1K6) 5.4kg(1K2)
- Dimension 500\*152\*77mm
- Input 208-480V 50/60Hz λ > 0.95
- Output 3CH 700-2000mA

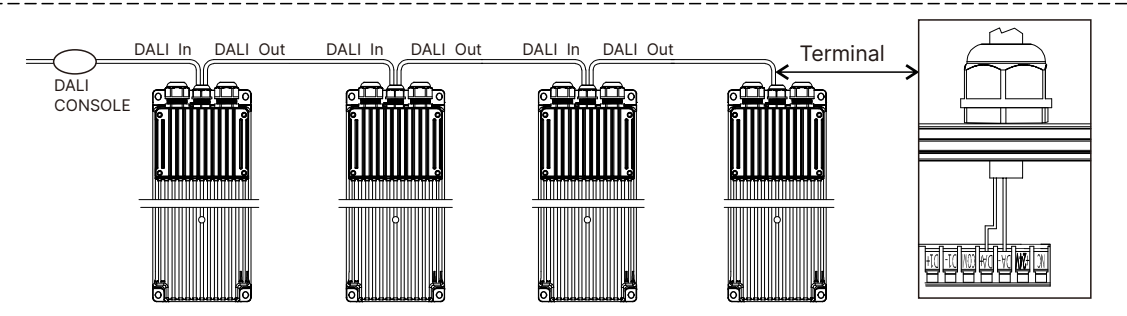
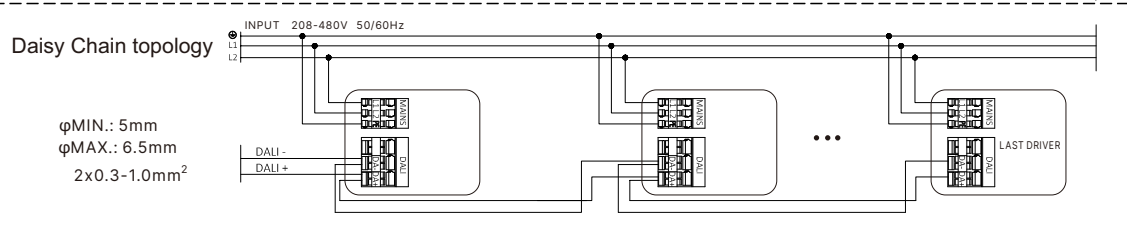
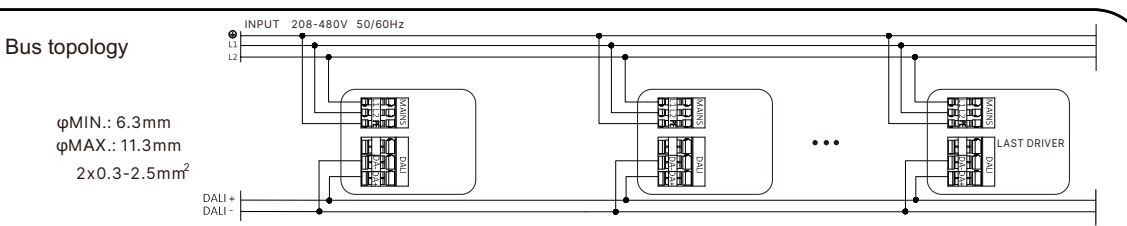
Surface ① belongs to the customer's end product where LED driver is mounted, LED driver should be mounted on a sturdy high thermal conductive surface with minimum of 4 mounting holes. For example, metal. If LED driver is forced to be placed on a low thermal conductive surfaces. For example, woods or plastics. To guarantee sufficient convection cooling, please keep a distance of 80mm above and lateral distance to nearby objects.



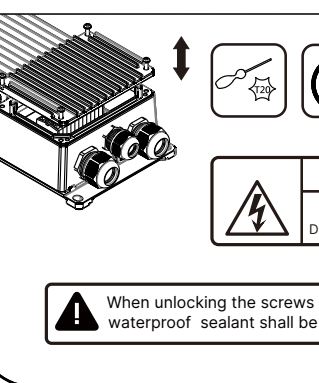
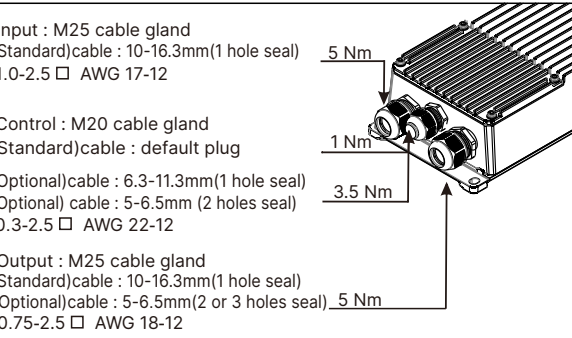
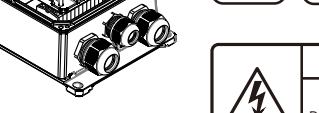
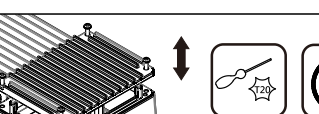
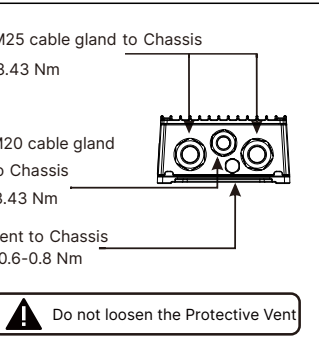
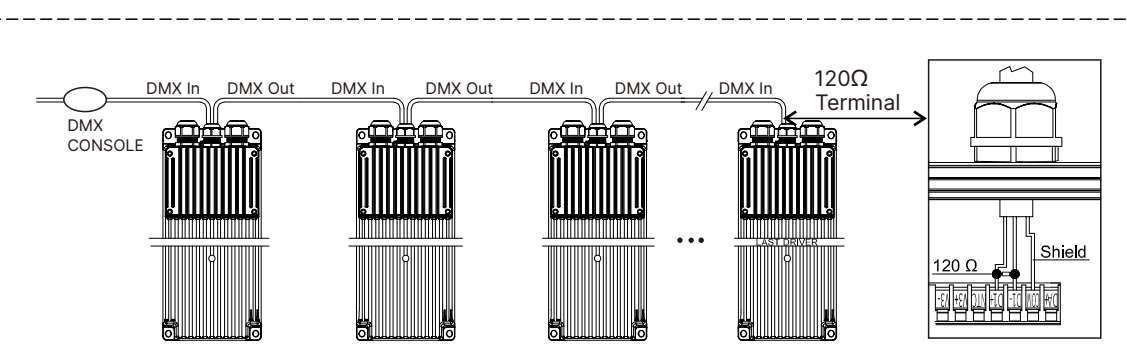
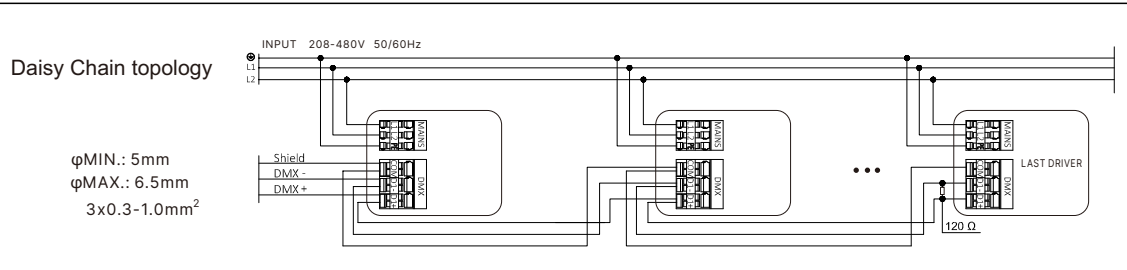
The control ports should be connected to SELV circuits, please be wary of electric shock risk if any non-SELV circuits (controllers) are connected.



Connector:  
Cross section: 0.08 - 2.5 mm<sup>2</sup>  
Cross section: 28 - 12 AWG



Points for attention about RDM/DMX version:  
---DMX is a three-wire system. Use all three!  
---DMX is based on the EIA-485/RS-485 standard  
---Always use cable specifically designed for DMX / RS-485 For instance: Belden 9841 or 3105a  
---DMX must be terminated with a 120 Ω resistor to prevent reflections.  
---A daisy chain topology should be used.  
---After 32 unit loads a repeater/booster should be used.  
---Keep cabling below 300 metres between the controller and the last driver.



Loosening the 8 fastening screws without authorization will result in loss of warranty.

CAUTION  
HIGH VOLTAGE  
Disconnect all power sources

When unlocking the screws of the CAP, the white waterproof sealant shall be kept in the groove.

Authorized representative:  
Delta Electronics (Netherlands) B.V.  
Zandsteen 15, 2132 MZ Hoofddorp, The Netherlands

Application models:  
EUCCO-1K8200GCA; LNA-1K8C20ABFGB;  
EUCCO-1K6200GCA; LNA-1K6C20ABFGB;  
EUCCO-1K2200GCA; LNA-1K2B20ABFGB



DELTA ELECTRONICS, INC.