

1. Safety Instructions

- Must select correct AC input voltage before turning on (Refer to Fig. 1).
- To ensure sufficient convection cooling, always maintain a safety distance of $\geq 20\text{mm}$ from all ventilated surfaces while the device is in operation.
- The device is not recommended to be placed on low thermal conductive surface, for example, plastics.
- Note that the enclosure of the device can become very hot depending on the ambient temperature and load of the power supply. Do not touch the device while it is in operation or immediately after power is turned OFF. Risk of burning!
- Do not touch the terminals while power is being supplied. Risk of electric shock.
- Prevent any foreign metal, particles or conductors to enter the device through the openings during installation. It can cause: - Electric shock; Safety Hazard; Fire; Product failure.
- The power supply must be mounted by metal screws onto a grounded metal surface. It is also highly recommended that the Earth terminal on the connector be connected to the grounded metal surface.
- Warning (For Standard Terminal Block and Front Face Terminal Block products): When connecting the device, secure Earth connection before connecting L and N. When disconnecting the device, remove L and N connections before removing the Earth connection.

2. Device Descriptions

Refer to Fig. 1.:

- ① Input & Output terminal block connector
- ② DC voltage adjustment potentiometer for V1
- ③ DC OK control LED (Green)
- ④ AC selectable switch

3. Installation of the Device

Refer to Fig. 2.:

- Ⓐ Mounting holes for the power supply (device). The device shall be mounted on minimum of 2 mounting holes using M3 screw of minimum 5mm length.
- Ⓑ This surface belongs to customer's end system or panel where the device is mounted.
- Ⓒ Connector

- Use flexible cable (stranded or solid) with the following sizes:

Table 1:	PM□-D□V100W1AA / PM□-D□V100W1AG	PM□-D□V100W1AH
D1V (V1: 12Vdc, V2: 5Vdc)	AWG 18-12	AWG 18
D2V (V1: 24Vdc, V2: 5Vdc)	AWG 22-12	AWG 22-18

- PM□-D□V100W1AA / PM□-D□V100W1AG: The torque at the Connector shall not exceed 13Kgf.cm. The insulation stripping length should not exceed 0.275" or 7mm (Refer to Fig. 3).
- PM□-D□V100W1AH: Please refer to Table 2 for the recommended Housing and Terminal.

Table 2:	Connector (Board Mounting)	Housing	Terminal
Input (JWT)	A3963WV2-5P-A	A3963H02-5P	A3963T0P-2
Output (JWT)	A3963WV2-7P-U	A3963H02-7P	

4. Installation of Mounting Accessories

- With reference to Fig. 4, only use M3 screw $\leq 4.0\text{mm}$ through the base or side mounting holes. This is to keep a safe distance between the screw and internal components.
- With reference to Fig. 5, the device should be mounted on a sturdy heat conducting surface with minimum of 4 mounting holes for base mounting or 3 mounting holes for side mounting. Use M3 screws only.
- Recommended mounting tightening torque: 4-7Kgf.cm.

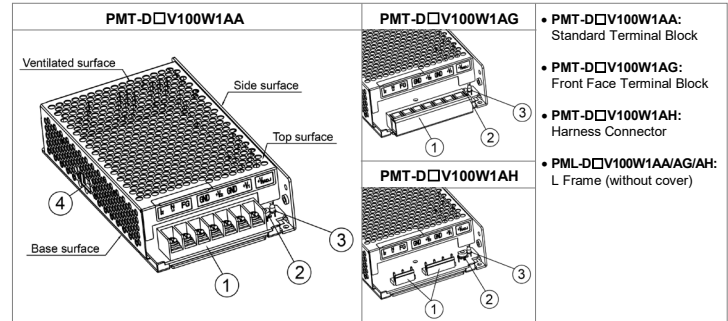


Fig. 1. Device Descriptions

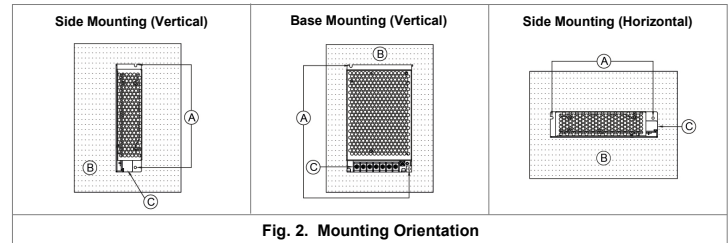


Fig. 2. Mounting Orientation



Fig. 3. Wire Type

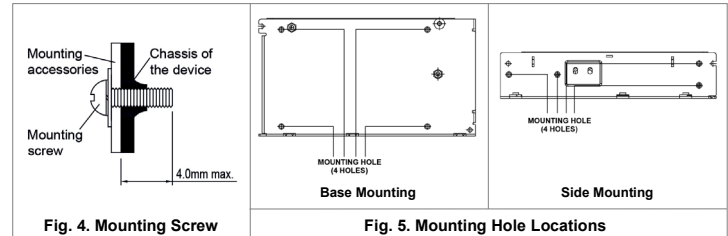


Fig. 4. Mounting Screw

Fig. 5. Mounting Hole Locations

1. 安全规范

- 通电前需选择正确电压 (依据图一)。
- 与通风表面保持至少 20mm 的安全距离, 以确保对流冷却充分。
- 本产品不适合摆放在低热导体, 例如: 塑胶。
- 受环境温度及产品负载的影响, 本机外壳温度会很高, 因此在上电时或切断电源后短时间内不要触摸本机, 以免烫伤。
- 请勿在上电时触摸连接端子, 以防电击危险。
- 安装过程中, 应避免金属元件或金属导体通过空隙或通风孔插入产品内而引起下列状况。
一电击; 安全危害; 火灾; 产品异常
- 安装时, 电源供应器之铁壳必须以金属螺丝锁附于固定面, 该固定面必须为金属材质并与电源主接地连接。并建议输入接地端子连接至电源主接地。
- 警告 (备有标准或朝前连接端子的产品): 在连接产品电源供应时, 产品必须先接地然后才接 L 和 N。当要解开电源供应时, 必须先把 L 和 N 解开然后才把接地解开。

2. 产品外观介绍

依据图一:

- ① 输入/输出连接端子
- ② V1 直流电压调节电位器
- ③ 直流电控制 OK 指示灯 (绿色)
- ④ 交流输入切换开关

3. 产品固定方式

依据图二:

- Ⓐ 在把产品安装在固定表面时, 将螺丝锁入此固定孔。产品应该用长度至少 5mm 的 M3 螺丝锁入至少两个固定孔。
- Ⓑ 此固定表面为客户系统表面。
- Ⓒ 输入/输出连接端子。

- 可以使用以下多股或實心的電線:

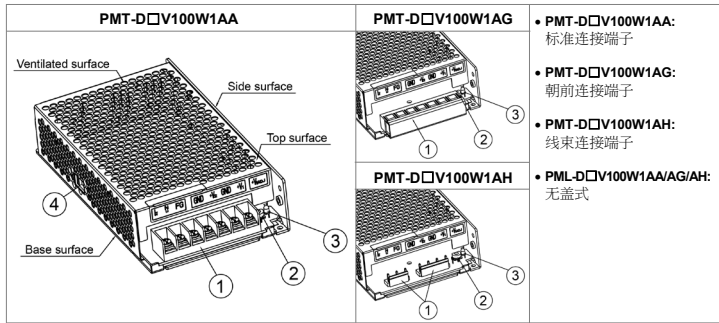
图表一:	PM□-D□V100W1AA / PM□-D□V100W1AG	PM□-D□V100W1AH
D1V (V1: 12Vdc, V2: 5Vdc)	AWG 18-12	AWG 18
D2V (V1: 24Vdc, V2: 5Vdc)	AWG 22-12	AWG 22-18

- PM□-D□V100W1AA / PM□-D□V100W1AG: 扭矩不应该超过 13Kgf.cm。绝缘管剥开的长度不应该超过 0.275" 或者 7mm (图三)。
- PM□-D□V100W1AH: 建议使用之 Housing and Terminal (图表二)。

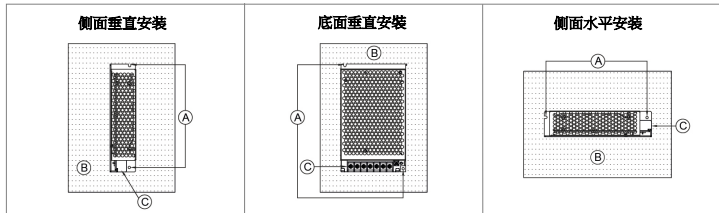
图表二:	Connector (Board Mounting)	Housing	Terminal
Input (JWT)	A3963WV2-5P-A	A3963H02-5P	A3963T0P-2
Output (JWT)	A3963WV2-7P-U	A3963H02-7P	

4. 配件组合安装

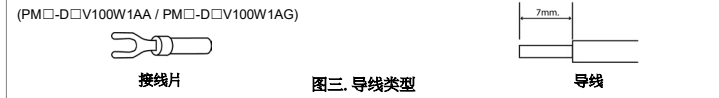
- 依据图四, 在把配件装上产品时, 请使用伸入产品长度不超过 4.0mm 的 M3 螺丝锁入产品底面或侧面的固定孔。这是为了确保螺丝和内部元件间有足够的绝缘距离。
- 依据图五, 为了确保产品稳固安装在表面, 产品固定面应该有至少四个 M3 螺丝锁入产品底面或三个 M3 螺丝锁入产品侧面的固定孔。
- 建议配件固定螺丝扭矩为 4~7Kgf.cm。



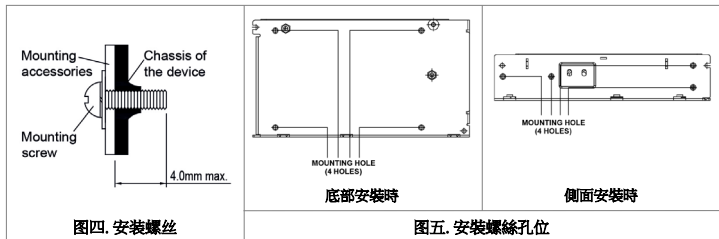
图一. 产品说明



图二. 安装方向



图三. 导线类型



图四. 安装螺丝

图五. 安装螺丝孔位