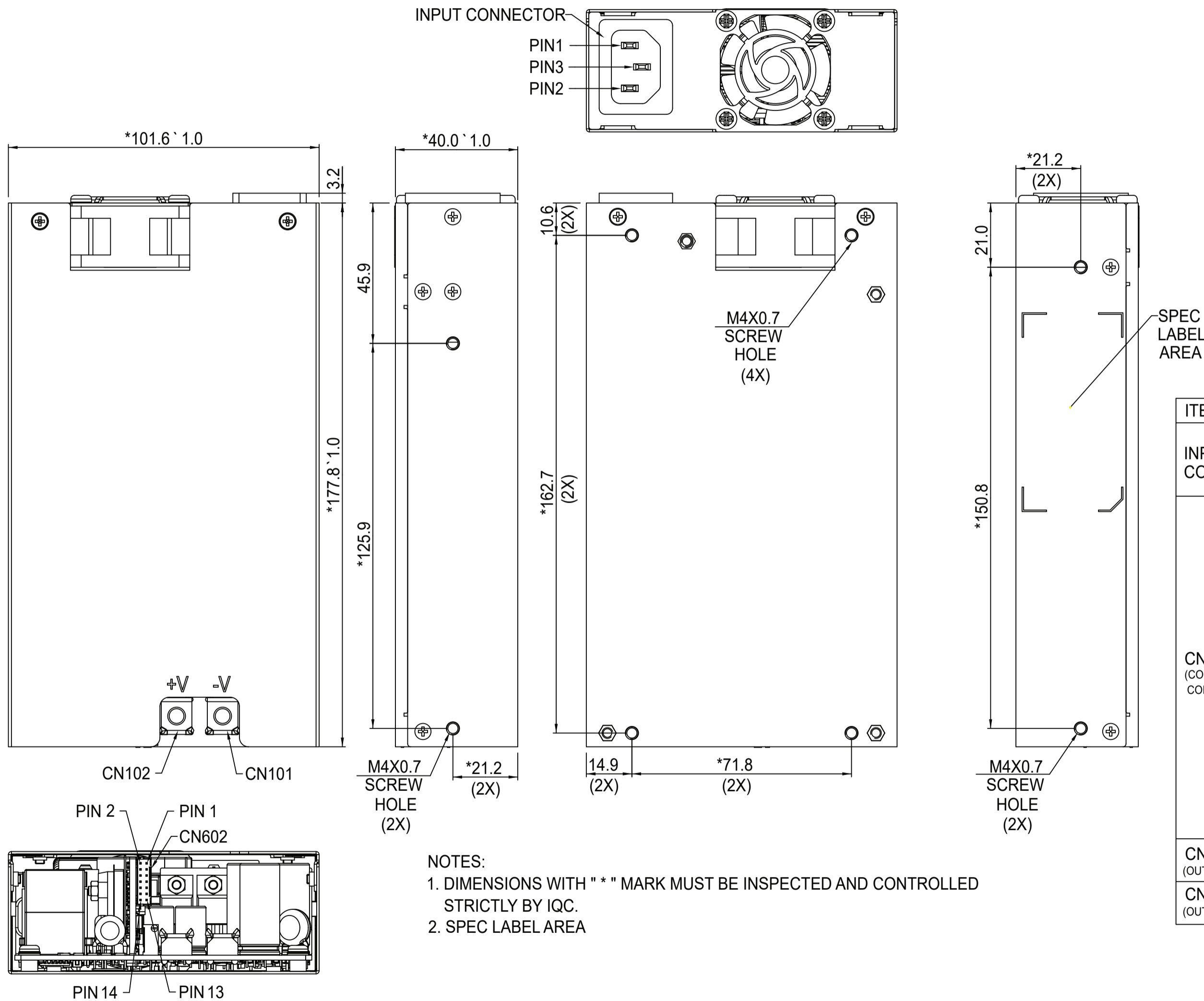


MEB

Medical Enclosed Power Supply 750W with 5V/2A Standby / MEB-750A□□B

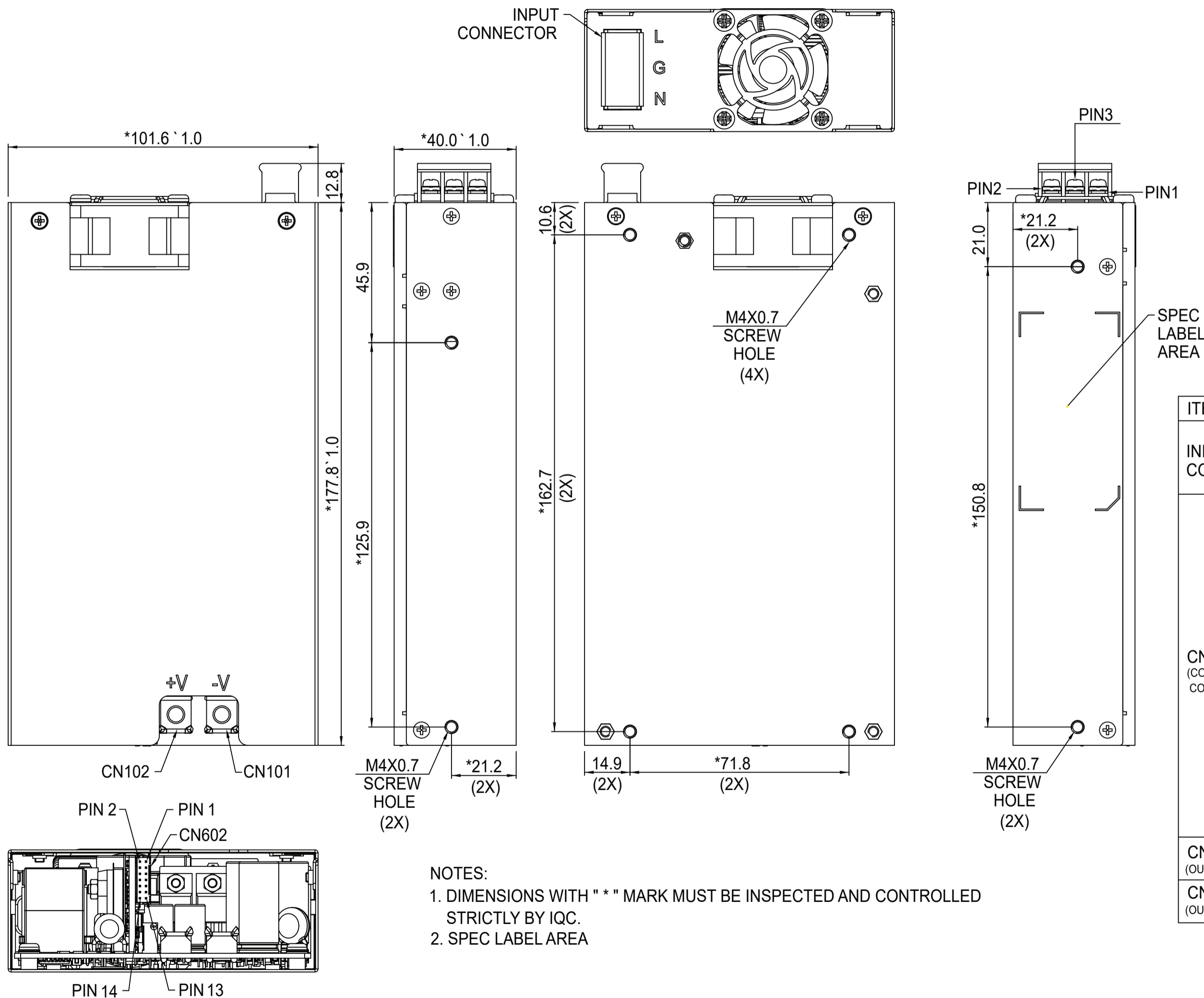


ITEM	PINNO.	FUNCTION	REMARK
INPUT CONNECTOR	1	AC Line(Phase)	IEC 320 C14
	2	AC Neutral	
	3	Ground	
CN602 (CONTROL CONNECTOR)	1	Current Share	Cvilux:CI0114P1HD0-NH Mating With Cvilux:CI0114SD000 Terminal:CI01TD21PE0
	2	DC RTN	
	3	Remote Sense +	
	4	Remote Sense -	
	5	DC RTN	
	6	DC RTN	
	7	5V Standby Output +	
	8	5V Standby Output +	
	9	NC	
	10	NC	
	11	Power Good-	
	12	Power Good+	
	13	Remote On_Off/Inhibit +	
	14	Remote On_Off/Inhibit -	
CN101 (OUTPUT TERMINAL)	1	DC RTN	Screw:M5x0.8
CN102 (OUTPUT TERMINAL)	1	Vo	Screw:M5x0.8

MEB

Medical Enclosed Power Supply

750W with 5V/2A Standby / MEB-750A□□T



- NOTES:
1. DIMENSIONS WITH "*" MARK MUST BE INSPECTED AND CONTROLLED STRICTLY BY IQC.
 2. SPEC LABEL AREA

ITEM	PINNO.	FUNCTION	REMARK
INPUT CONNECTOR	1	AC Line(Phase)	DINKLE: DT-2G-B95W-03
	2	AC Neutral	
	3	Ground	
CN602 (CONTROL CONNECTOR)	1	Current Share	Cvilux:CI0114P1HD0-NH Mating With Cvilux:CI0114SD000 Terminal:CI01TD21PE0
	2	DC RTN	
	3	Remote Sense +	
	4	Remote Sense -	
	5	DC RTN	
	6	DC RTN	
	7	5V Standby Output +	
	8	5V Standby Output +	
	9	NC	
	10	NC	
	11	Power Good-	
	12	Power Good+	
	13	Remote On_Off/Inhibit +	
	14	Remote On_Off/Inhibit -	
CN101 (OUTPUT TERMINAL)	1	DC RTN	Screw:M5x0.8
CN102 (OUTPUT TERMINAL)	1	Vo	Screw:M5x0.8