

# PMT2

## PMT2 Panel Mount Power Supply

PMT□□V100W2B□

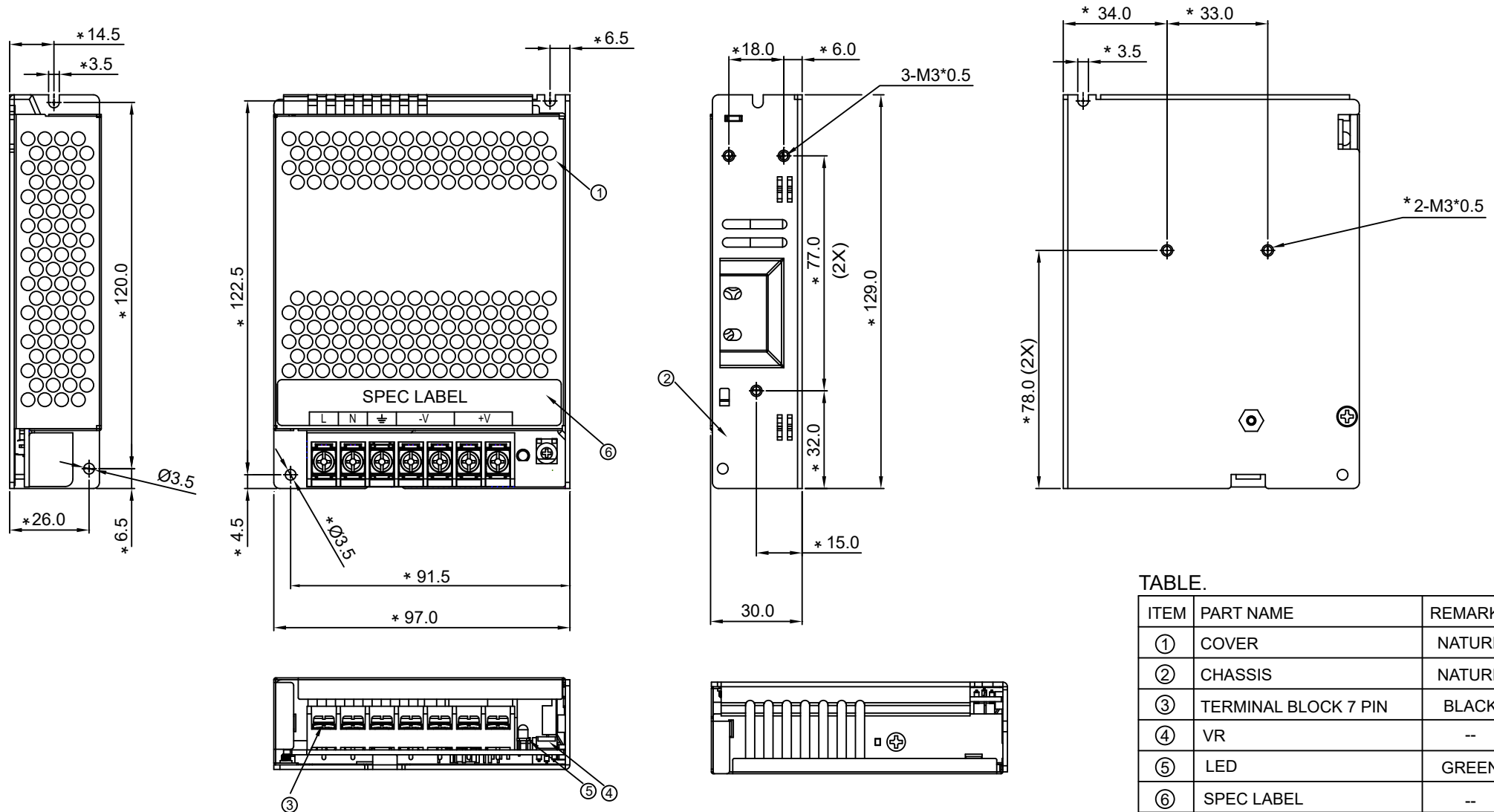


TABLE.

| ITEM | PART NAME            | REMARKS |
|------|----------------------|---------|
| ①    | COVER                | NATURE  |
| ②    | CHASSIS              | NATURE  |
| ③    | TERMINAL BLOCK 7 PIN | BLACK   |
| ④    | VR                   | --      |
| ⑤    | LED                  | GREEN   |
| ⑥    | SPEC LABEL           | --      |

UNLESS OTHERWISE SPECIFIED TOLERANCE OF DIMENSION ARE  $\pm 0.5$ .