

Force-GT DIN Rail Power Supply

24 V 240 W 3 Phase / DRF-24V240W3G□A

FORCE-GT



Highlights & Features

- Universal AC input voltage range
- Built-in constant current circuit for charging applications
- Full load operating temperature up to 55°C
- Cold start at -40°C
- Ultra-Slim design
- Reduced no-load power consumption
- Built-in DC OK relay and LED indicator
- Conformal coating on PCBAs to protect against common dust and pollutants

Safety Standards



CB Certified for worldwide use

Model Number: DRF-24V240W3G□A
Unit Weight: 0.84 kg (1.85 lb)
Dimensions (H x W x D): 124 x 50 x 125.3 mm
 (4.88 x 1.97 x 4.93 inch)

General Description

The Force-GT Series DIN rail industrial power supply features high power density and high efficiency. The Series offers overcurrent protection in constant current mode, making it suitable for charging applications. Conformal coating is applied on the PCBAs to protect against dust and pollutants often found in harsh industrial environments. The Series' electromagnetic radiated and conducted emissions are compliant with heavy industrial Class B Emission standard and Immunity standard, and complies with environmental protection standards RoHS Directive.

Model Information

Force-GT DIN Rail Power Supply

| Model Number | Input Voltage Range | Rated Output Voltage | Rated Output Current |
|-----------------|---|----------------------|----------------------|
| DRF-24V240W3G□A | 3 x 320-575 Vac (3-Phase) or 2 x 340-575 Vac (2-Phase) | 24 Vdc | 10.0 A |

Model Numbering

| DR | F – | 24V | 240W | 3 | G | □ | A |
|----------|-----------------------------|----------------|--------------|-------------|------------------|--|----------------|
| DIN Rail | Product Series F – Force | Output Voltage | Output Power | Three Phase | G – General Type | Connector Type B – Screw Terminal T – Spring Clamp Terminal* | Delta Standard |

*Options



B



T*

Force-GT DIN Rail Power Supply

24 V 240 W 3 Phase / DRF-24V240W3G□A

Specifications

Input Ratings / Characteristics

| | | |
|---|---|--------------------------------------|
| Nominal Input Voltage | 3 x 380-500 Vac | |
| Input Voltage Range | 3 x 320-575 Vac (3-Phase) or 2 x 340-575 Vac (2-Phase) *1 | |
| Nominal Input Frequency | 50-60 Hz | |
| Input Frequency Range | 47-63 Hz | |
| DC Input Voltage Range*2 | 450-800 Vdc | |
| Input Current | < 0.75 A @ 3 x 400 Vac, < 0.65 A @ 3 x 500 Vac | |
| Efficiency at 100% Load | 89.5% typ. @ 3 x 400 Vac & 3 x 500 Vac | |
| Average Efficiency (25%, 50%, 75%, 100%) | 89.5% typ. @ 3 x 400 Vac, 89.0% typ. @ 3 x 500 Vac | |
| Max Power Dissipation | 0% load | < 2.7 W @ 3 x 400 Vac & 3 x 500 Vac |
| | 100% load | < 26.5 W @ 3 x 400 Vac & 3 x 500 Vac |
| Max Inrush Current (Cold Start) | 20 A typ. @ 3 x 400 Vac, 25 A typ. @ 3 x 500 Vac | |
| Power Factor at 100% Load | > 0.50 @ 3 x 400 Vac & 3 x 500 Vac | |
| Leakage Current | < 3.5 mA @ 3 x 500 Vac | |

*1 For 2-Phase input, see power de-rating on page 3.

*2 Power supply can operate at DC input.

Output Ratings / Characteristics*3

| | | |
|--|--|--|
| Nominal Output Voltage | 24 Vdc | |
| Factory Set Point Tolerance | 24 Vdc \pm 2% | |
| Output Voltage Adjustment Range | 24-28 Vdc | |
| Output Current | 0-10.0 A | |
| Output Power | 240 W max | |
| Line Regulation | < 40 mV (@ 3 x 320-575 Vac input, 100% load) | |
| Load Regulation | < 150 mV (@ 3 x 320-575 Vac input, 0-100% load) | |
| PARD*4 (20 MHz) | < 100 mVpp | |
| Rise Time | 50 ms typ. @ nominal input (100% load) | |
| Start-up Time | 1,000 ms typ. @ nominal input (100% load) | |
| Hold-up Time | 20 ms typ. @ 3 x 400 Vac (100% load) | |
| | 40 ms typ. @ 3 x 500 Vac (100% load) | |
| Dynamic Response (Overshoot & Undershoot O/P Voltage) | \pm 5% @ 3 x 320-575 Vac input, 0-100% load (Slew Rate: 0.1 A/ μ s, 50% duty cycle @ 5 Hz to 1 kHz) | |
| Start-up with Capacitive Loads | 10,000 μ F Max | |
| Functional | DC OK Relay Contact | Rated: 30 V at 1 A, resistive load. Refer to the details in the Function section at DC OK Relay Contacts and LED Indicator Characteristics on page 11. |

*3 For power de-rating from 55°C to 70°C, see power de-rating on page 3.

*4 PARD is measured with an AC coupling mode, 5 cm wires, and in parallel to end terminal with 0.1 μ F ceramic capacitor & 47 μ F electrolytic capacitor.

Force-GT DIN Rail Power Supply

24 V 240 W 3 Phase / DRF-24V240W3G□A

Mechanical

| | | |
|-----------------------------------|--|-----------------------------|
| Case Cover / Chassis | Aluminum | |
| Dimensions (H x W x D) | 124 x 50 x 125.3 mm (4.88 x 1.97 x 4.93 inch) | |
| Unit Weight | 0.84 kg (1.85 lb) | |
| Indicator | Green LED | DC OK |
| Cooling System | Convection | |
| Terminal*5 | Input | 4 Pins (Rated 600 V / 30 A) |
| | Output | 4 Pins (Rated 600 V / 30 A) |
| | Signal | 2 Pins (Rated 300 V / 12 A) |
| Wire | Input | AWG 18-10 |
| | Output | AWG 16-10 |
| | Signal | AWG 20-16 |
| Mounting Rail | Standard TS35 DIN Rail in accordance with EN 60715 | |
| Noise (1 Meter from power supply) | Sound Pressure Level (SPL) < 25 dBA | |

*5 The torque at the screw terminal connector shall not exceed 5.4 Kgf.cm. (4.7 lbf.in).

Environment

| | | |
|--|------------------------------|--|
| Surrounding Air Temperature | Operating | 3-Phase -40°C to +70°C 2-Phase -40°C to +60°C |
| | Storage | -40°C to +85°C |
| Power De-rating | Vertical Mounting | > 55°C de-rate power by 3.33% / °C |
| | Horizontal Mounting | > 40°C de-rate power by 2.5% / °C |
| | Input Voltage | 2-Phase < 2 x 380 Vac de-rate power by 0.5% / V |
| Operating Humidity | 5 to 95% RH (Non-Condensing) | |
| Operating Altitude and Over Voltage Category | OVC III | 0 to 2,500 Meters (8,200 ft.) According to IEC/EN 62477-1 / EN 60204-1 (clearance and creepage distances) and IEC 62103 (safety part) |
| | OVC II | 2,500 to 6,000 Meters (19,680 ft.) |
| | | 0 to 5,000 Meters (16,400 ft.) |
| Shock Test | Non-Operating | IEC 60068-2-27, Half Sine Wave: 50 G for duration of 11 ms; 3 times per direction |
| Vibration | Operating | IEC 60068-2-6, Sine Wave: 10-500 Hz; 3G peak; 60 min per axis for all X, Y, Z directions |
| Pollution Degree | 2 | |

Force-GT DIN Rail Power Supply

24 V 240 W 3 Phase / DRF-24V240W3G□A

Protections

| | |
|--------------------------|---|
| Overvoltage | < 35 V, Hiccup Mode, Non-Latching (Auto-Recovery) |
| Overload / Overcurrent | 105 – 150% of rated load current, Auto-recovery Continuous current limit Mode*6 (Vo > 80%) |
| Over Temperature | 60°C-80°C Surrounding Air Temperature @ 100% load, Non-Latching (Auto-Recovery) |
| Short Circuit | Hiccup Mode, Non-Latching (Auto-Recovery when the fault is removed) |
| Internal Fuse | T 3.15 A |
| Degree of Protection | IP20 |
| Protection Against Shock | Class I with PE*7 connection |

*6 Constant current limit protection for inductive and capacitive load applications

*7 PE: Primary Earth

Reliability Data

| | | |
|------------------------|------------------|--|
| MTBF | Telcordia SR-332 | > 700,000 hrs. I/P: 3 x 400 Vac & 3 x 500 Vac, O/P: 100% load, Ta: 25°C |
| Expected Cap Life Time | 10 Years | I/P: 3 x 400 Vac & 3 x 500 Vac, O/P: 24 V, 5 A, Ta: 40°C |

Safety Standards / Directives

| | | |
|---|-------------------------------|---|
| Electrical Equipment of Machines | | EN/BS EN 60204-1 (over voltage category III) |
| Electrical Equipment for Use in Electrical Power Installations | | IEC/EN/BS EN 62477-1 / IEC 62103 |
| Safety Entry Low Voltage | | SELV (IEC 60950-1) |
| Electrical Safety | SIQ Bauart | EN 62368-1, EN 61010-1, EN 61010-2-201, EN 62477-1 |
| | UL/cUL recognized | UL 62368-1 and CSA C22.2 No. 62368-1 (File No. E191395) |
| | CB scheme | IEC 60950-1, IEC 62368-1, IEC 61010-1, IEC 61010-2-201 |
| | UKCA | BS EN 62368-1, BS EN 61010-1, BS EN 61010-2-201 |
| | EAC | TP TC 004/2011 |
| | BIS | IS 13252 (Part 1) |
| Electrical Equipment for Measurement, Control, and Laboratory Use | UL/cUL listed | UL 61010-1, UL 61010-2-201 (File No. E315355) |
| CE | | In conformance with EMC Directive 2014/30/EU and Low Voltage Directive 2014/35/EU |
| UKCA | | In conformance with Electrical Equipment (Safety) Regulations 2016 No. 1011 and The Electromagnetic Compatibility Regulations 2016 No. 1091 |
| Galvanic Isolation | Input to Output | 4.0 kVac |
| | Input to Ground | 2.0 kVac |
| | Output to Ground | 1.5 kVac |
| | DC OK relay contact to Output | 0.5 kVac |
| | DC OK relay contact to Ground | 1.5 kVac |

Force-GT DIN Rail Power Supply

24 V 240 W 3 Phase / DRF-24V240W3G□A

EMC*8

| | | | | |
|--|---|--|--|--|
| Emissions (CE & RE) | Generic Standards: EN/BS EN 61000-6-3, CISPR 32, EN/BS EN 55032, KS C 9832, FCC Title 47: Class B | | | |
| Component Power Supply for General Use | EN/BS EN 61204-3 | | | |
| Immunity | Generic Standards: EN/BS EN 55024, EN/BS EN 55035, KS C 9835, EN/BS EN 61000-6-1 | | | |
| Electrostatic Discharge | IEC 61000-4-2 | Level 4 Criteria A ¹⁾ Air Discharge: 15 kV Contact Discharge: 8 kV | | |
| Radiated Field | IEC 61000-4-3 | Level 3 Criteria A ¹⁾ 80 MHz – 1 GHz, 10 V/M, 80% Modulation (1 kHz) 1.4 GHz – 2 GHz, 10 V/M, 80% Modulation (1 kHz) 2 GHz – 6 GHz, 10 V/M, 80% Modulation (1 kHz) | | |
| Electrical Fast Transient / Burst | IEC 61000-4-4 | Level 4 Criteria A ¹⁾ 4 kV | | |
| Surge | IEC 61000-4-5 | Level 4 Criteria A ¹⁾ | | |
| | | | With SPD | |
| | | Common Mode ³⁾ | 4 kV | 6 kV |
| | | Differential Mode ⁴⁾ | 2 kV | 6 kV |
| Conducted | IEC 61000-4-6 | Level 3 Criteria A ¹⁾ 150 kHz – 80 MHz, 10 Vrms | | |
| Power Frequency Magnetic Fields | IEC 61000-4-8 | Level 4 Criteria A ¹⁾ 30 A/m | | |
| Voltage Dips and Interruptions | IEC 61000-4-11 | 0% of 3 x 380 Vac 0% of 3 x 480 Vac | 0Vac, 20ms 0Vac, 20ms | Criteria A ¹⁾ Criteria A ¹⁾ |
| | | 40% of 2 x 380 Vac 40% of 2 x 480 Vac | 152 Vac, 200 ms 192 Vac, 200 ms | Criteria A ¹⁾ Criteria A ¹⁾ |
| | | 70% of 2 x 380 Vac 70% of 2 x 480 Vac | 266 Vac, 500 ms 336 Vac, 500 ms | Criteria A ¹⁾ Criteria A ¹⁾ |
| | | 0% | 0 Vac, 5,000 ms | Criteria B ²⁾ |
| Low Energy Pulse Test (Ring Wave) | IEC 61000-4-12 | Level 3 Criteria A ¹⁾ Common Mode ³⁾ : 2 kV Differential Mode ⁴⁾ : 1 kV | | |
| Harmonic Current Emission | IEC/EN/BS EN 61000-3-2, Class A | | | |
| Voltage Fluctuation and Flicker | IEC/EN/BS EN 61000-3-3 | | | |
| Voltage Sag Immunity SEMI F47 – 0706 | 80% of 380 Vac 70% of 380 Vac 50% of 380 Vac | 304 Vac, 1,000 ms 266 Vac, 500 ms 190 Vac, 200 ms | Criteria A ¹⁾ Criteria A ¹⁾ Criteria A ¹⁾ | |

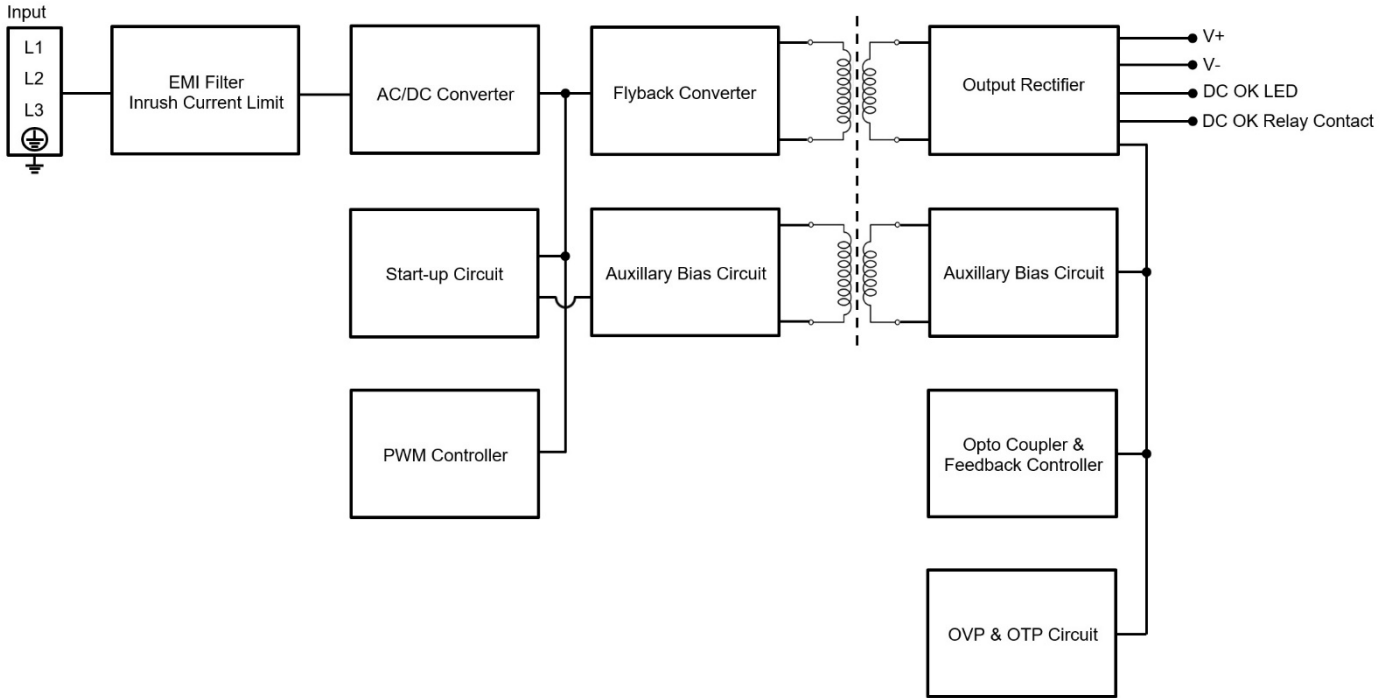
1) Criteria A: Normal performance within the specification limits
 2) Criteria B: Temporary degradation or loss of function which is self-recoverable
 3) Asymmetrical: Common mode (Line to earth)
 4) Symmetrical: Differential mode (Line to line)

*8 Power supply is considered a component in the end-user's system. Please contact our local sales to get more information about the power supply EMC test setup.

Force-GT DIN Rail Power Supply

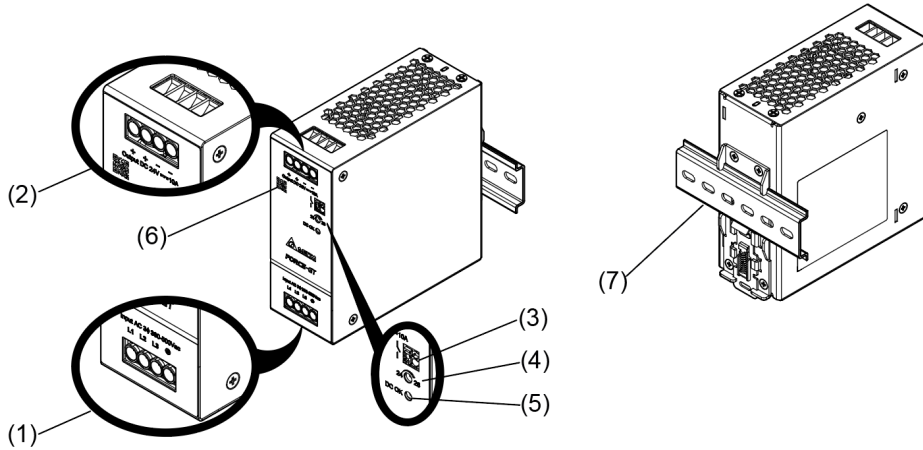
24 V 240 W 3 Phase / DRF-24V240W3G□A

Block Diagram



Device Description

■ DRF-24V240W3GBA



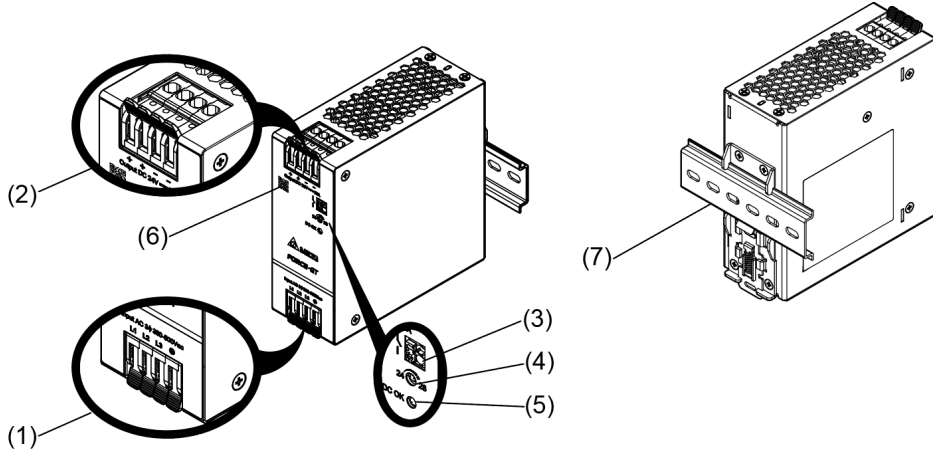
- 1) Input terminal block connector
- 2) Output terminal block connector
- 3) DC OK relay contact
- 4) DC voltage adjustment potentiometer

- 5) DC OK LED (Green)
- 6) QR code for product link
- 7) Universal mounting rail system

Force-GT DIN Rail Power Supply

24 V 240 W 3 Phase / DRF-24V240W3G□A

■ DRF-24V240W3GTA

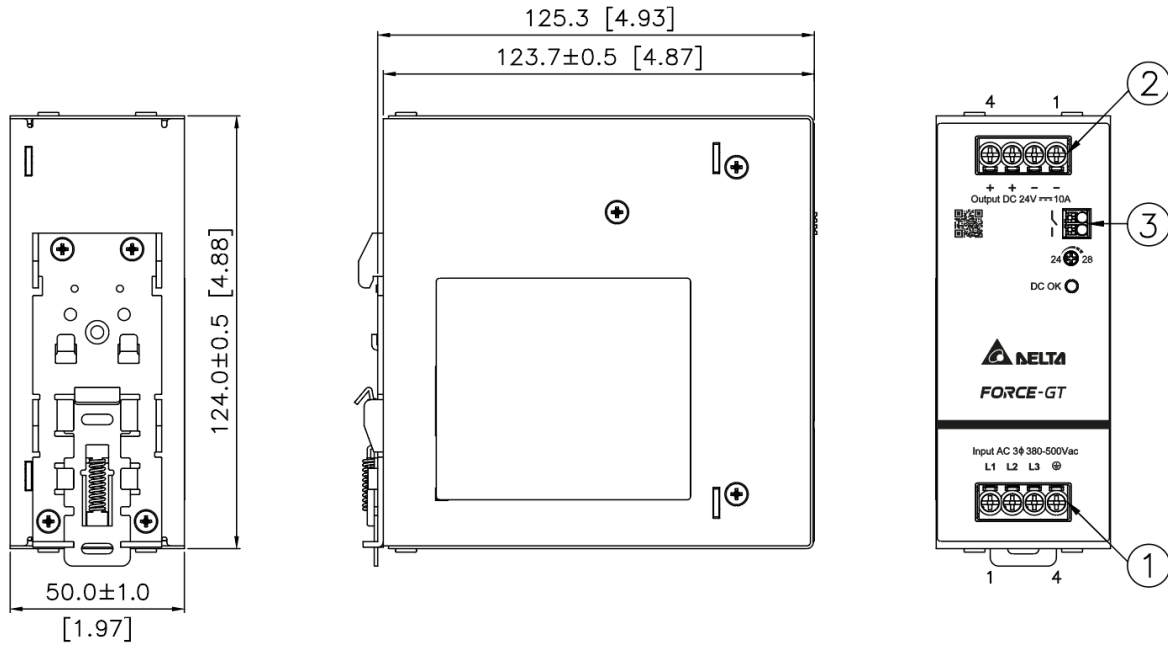


- | | |
|--|-----------------------------------|
| 1) Input terminal block connector | 5) DC OK LED (Green) |
| 2) Output terminal block connector | 6) QR code for product link |
| 3) DC OK relay contact | 7) Universal mounting rail system |
| 4) DC voltage adjustment potentiometer | |

Dimensions

H x W x D: 124 x 50 x 125.3 mm (4.87 x 1.97 x 4.93 inch)

■ DRF-24V240W3GBA



| Item | Device Description |
|------|--|
| 1 | Input terminal block connector Pin 1: L1 Pin 2: L2 Pin 3: L3 Pin 4: PE |
| 2 | Output terminal block connector Pin 1 to 2: V(-) Pin 3 to 4: V(+) |
| 3 | DC OK relay contact |

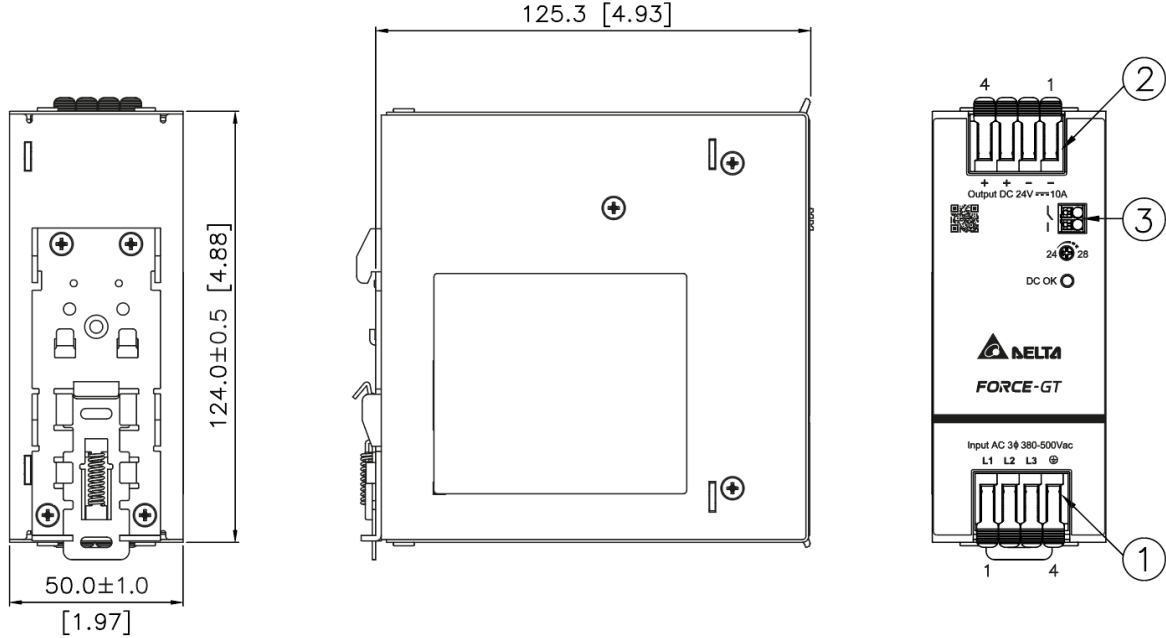
7 | All parameters are specified at 25°C ambient and AC input 3x unless otherwise indicated.
www.DeltaPSU.com (December 2024, Rev. 04.1)

Force-GT DIN Rail Power Supply

24 V 240 W 3 Phase / DRF-24V240W3G□A

H x W x D: 124 x 50 x 125.3 mm (4.87 x 1.97 x 4.93 inch)

■ DRF-24V240W3GTA



| Item | Device Description |
|------|--|
| 1 | Input terminal block connector Pin 1: L1 Pin 2: L2 Pin 3: L3 Pin 4: PE |
| 2 | Output terminal block connector Pin 1 to 2: V(-) Pin 3 to 4: V(+) |
| 3 | DC OK relay contact |

AWG Wire Table

| Current Rating for PVC Wire | |
|-----------------------------|--------|
| 6 AWG | 52.5 A |
| 8 AWG | 37.5 A |
| 10 AWG | 29.0 A |
| 12 AWG | 22.5 A |
| 14 AWG | 16.5 A |
| 16 AWG | 12.0 A |
| 18 AWG | 9.0 A |
| 20 AWG | 6.5 A |
| 22 AWG | 5.0 A |
| 24 AWG | 3.5 A |
| 26 AWG | 2.5 A |
| 28 AWG | 2.0 A |
| 30 AWG | 1.5 A |

Force-GT DIN Rail Power Supply

24 V 240 W 3 Phase / DRF-24V240W3G□A

Engineering Data

Output Load De-rating VS Surrounding Air Temperature

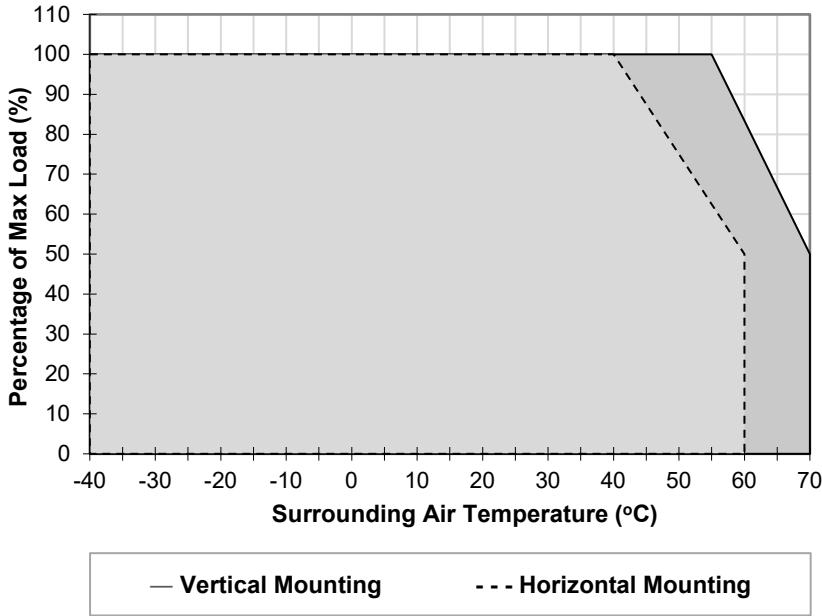


Fig. 1 De-rating for Vertical Mounting Orientation
 > 55°C (3.33% / °C) in Vertical

De-rating for Horizontal Mounting Orientation
 > 40°C (2.5% / °C) in Horizontal

Note

1. Power supply components may degrade, or be damaged, when the power supply is continuously used outside the shaded region, refer to the graph shown in Fig. 1.
2. The power supply will have a longer rise time when the ambient temperature range is -30°C to -40°C.
3. If the output capacity is not reduced when the surrounding air temperature exceeds its specification as defined on Page 3 under "Environment", the device will run into Over Temperature Protection. When activated, the output voltage will go into bouncing mode and will recover when the surrounding air temperature is lowered or the load is reduced as far as necessary to keep the device in working condition.
4. In order for the device to function in the manner intended, it is also necessary to keep a safety distance as recommended in the safety instructions while the device is in operation.
5. Depending on the surrounding air temperature and output load delivered by the power supply, the device can be very hot!
6. If the device has to be mounted in any other orientation, please leave a message via the [Contact Us](#) form.

Output Load De-rating VS Input Voltage

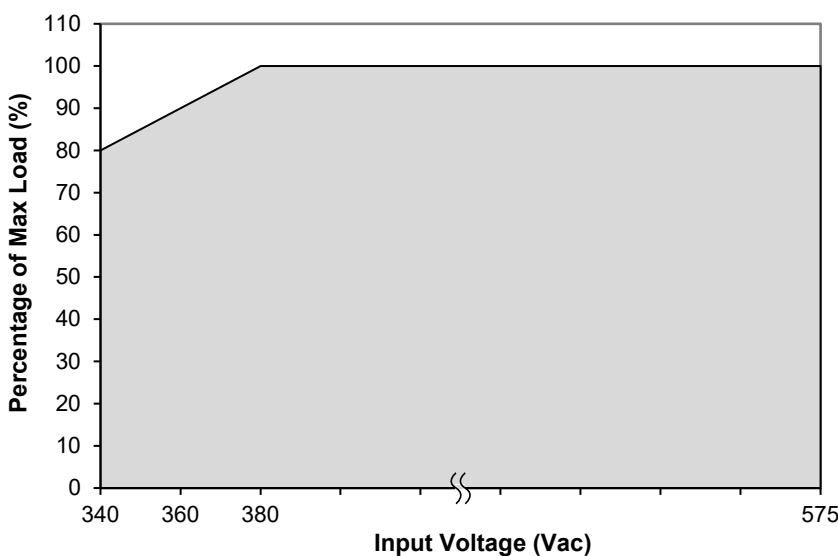


Fig. 2 De-rating for AC Input Voltage
 < 2 x 380 Vac de-rate power by 0.5 % / Vac

- No output power de-rating for the input voltage from 2 x 380 Vac to 2 x 575 Vac

Force-GT DIN Rail Power Supply

24 V 240 W 3 Phase / DRF-24V240W3G□A

Assembly & Installation

The power supply unit (PSU) can be mounted on 35 mm DIN rails in accordance with EN 60715. The device should be installed with input terminal block at the bottom.

Each device is delivered ready to install.

1. Tilt the unit upwards and insert it onto the DIN rail. Snap on the DIN rail as shown in Fig. 3.1.
2. Push downwards until stopped.
3. Press against the bottom front side for locking.
4. Shake the unit slightly to ensure that it is secured.
5. To uninstall, pull or slide down the latch with screw driver as shown in Fig. 3.2. Then slide the power supply unit (PSU) in the opposite direction, release the latch and pull out the power supply unit (PSU) from the rail.

Mounting

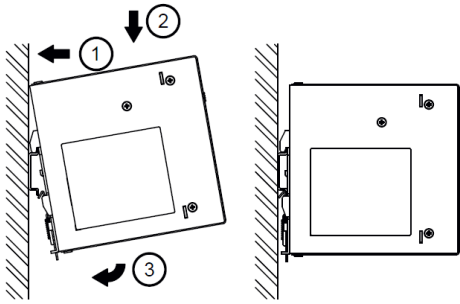


Fig. 3.1 Mounting

Dismounting

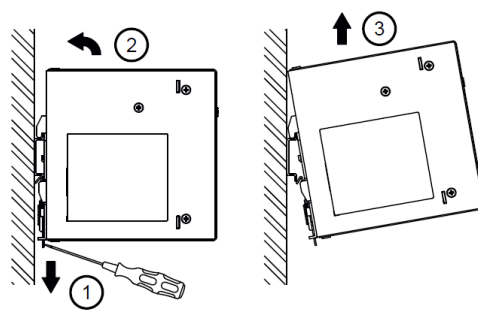


Fig. 3.2 Dismounting

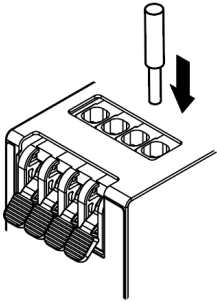
In accordance to IEC/EN/UL/CSA 62368-1 and IEC/EN/UL/CSA 61010-2-201, flexible cables require ferrules.

Use appropriate copper cables designed to sustain operating temperature of:

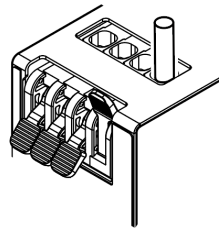
- At least 75°C for ambient < 40°C
- At least 90°C for ambient < 70°C.

Connecting a Wire to Spring Clamp Terminals

1. Open the lever and insert the wire.



2. Close the lever.



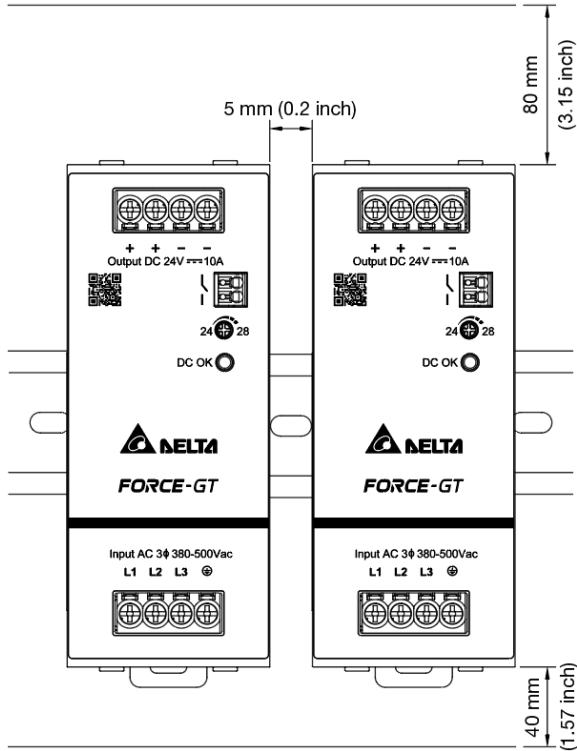
To disconnect the wires, reverse the procedure.
Flexible cables require ferrules.

Force-GT DIN Rail Power Supply

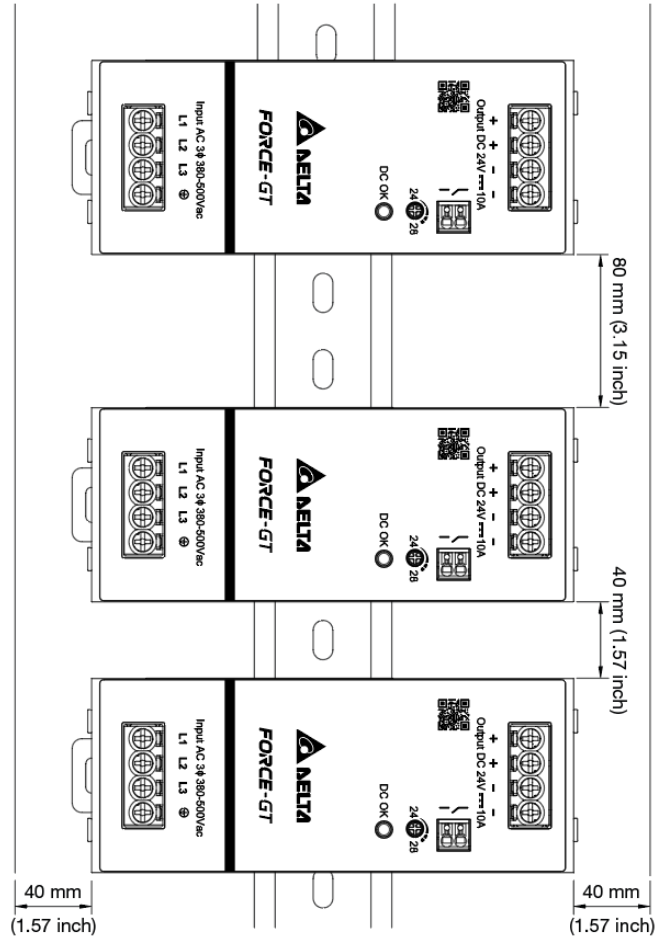
24 V 240 W 3 Phase / DRF-24V240W3G□A

Safety Instructions

■ Vertical Mounting



■ Horizontal Mounting



- ALWAYS switch mains of input power OFF before connecting and disconnecting the input voltage to the unit. If mains are not turned OFF, there is risk of explosion / severe damage.
- To guarantee sufficient convection cooling, please refer to the following instructions to ensure sufficient clearance around the device.
Vertical Mounting: 80 mm (3.15 inch) above and 40 mm (1.57 inch) below the device as well as a lateral distance of 5 mm (0.20 inch) to other units. In case the adjacent device is a heat source (50% load of 240 W), the lateral distance will be 25 mm (0.98 inch).
Horizontal Mounting: 80 mm (3.15 inch) above and 40 mm (1.57 inch) below the device as well as a lateral distance of 40 mm (1.57 inch) to other units.
- The external enclosure where the unit will be installed shall meet the requirements for mechanical, electrical and fire enclosure.
- Note that the enclosure of the device can become very hot depending on the surrounding air temperature and load of the power supply. Risk of burns!
- The main power must be turned off before connecting or disconnecting wires to the terminals.
- DO NOT insert any objects into the unit.
- Hazardous voltages may be present for up to 5 minutes after the input mains voltage is disconnected. Do not touch the unit during this time.
- The power supplies are built in units and must be installed in a cabinet or room (condensation free environment and indoor location) that is relatively free of conductive contaminants.
- The power supply is approved for the connection to 3-phase TN, TT and IT power grids (star networks) with a maximum phase-to-phase voltage of 500 Vac.

Force-GT DIN Rail Power Supply

24 V 240 W 3 Phase / DRF-24V240W3G□A

Functions

DC OK Relay Contacts and LED Indicator Characteristics

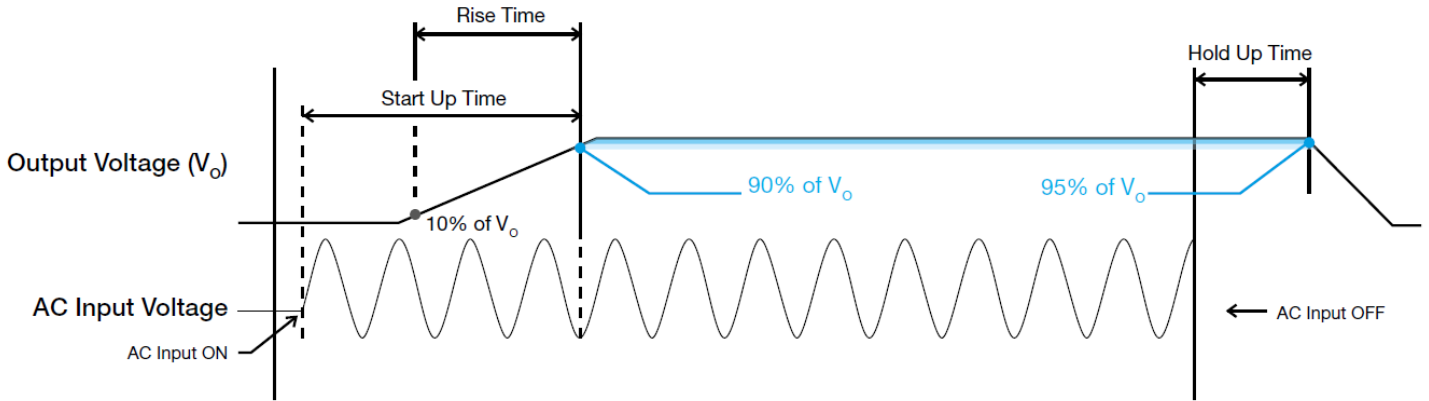
| DC OK Relay Contacts Status | Characteristics |
|-----------------------------|---|
| Contact closes | The output voltage > 90% of its steady state set value. |
| Contact opens | The output voltage < 90% of its steady state set value. |

| Operating Status | DC OK (Green LED) | DC OK Relay Contact |
|------------------------|-------------------|---------------------|
| Normal Operation | ON | Closed |
| Overload (Hiccup Mode) | OFF | Open |
| Output Short Circuit | OFF | Open |
| Over Temperature | OFF | Open |
| No Input Power | OFF | Open |

Force-GT DIN Rail Power Supply

24 V 240 W 3 Phase / DRF-24V240W3G□A

■ Graph illustrating the Start-up Time, Rise Time, and Hold-up Time



Start-up Time

The time required for the output voltage to reach 90% of its final steady state set value, after the input voltage is applied.

Rise Time

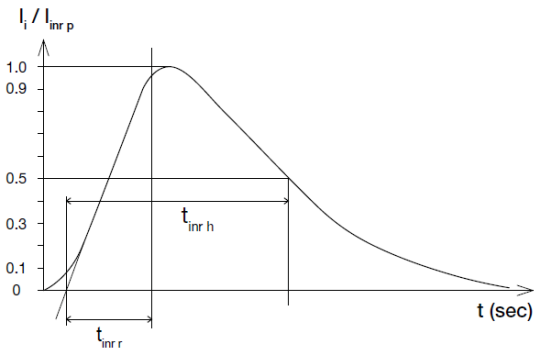
The time required for the output voltage to change from 10% to 90% of its final steady state set value.

Hold-up Time

Time between the collapse of the AC input voltage, and the output falling to 95% of its steady state set value.

Inrush Current

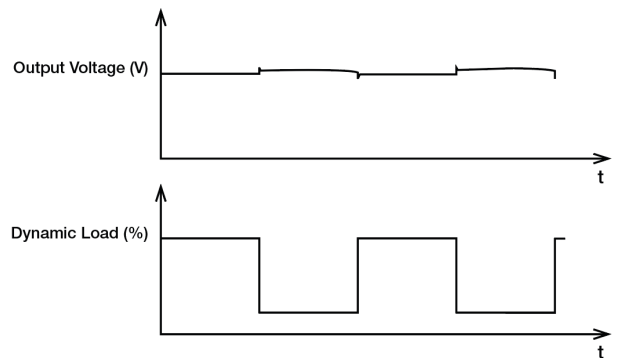
Inrush current is the peak, instantaneous, input current measured and, occurs when the input voltage is first applied. For AC input voltages, the maximum peak value of inrush current will occur during the first half cycle of the applied AC voltage. This peak value decreases exponentially during subsequent cycles of AC voltage.



Dynamic Response

The power supply output voltage will remain within $\pm 5\%$ of its steady state value, when subjected to a dynamic load from 0% to 100% of its rated current.

■ 50% duty cycle / 5 Hz to 1 kHz

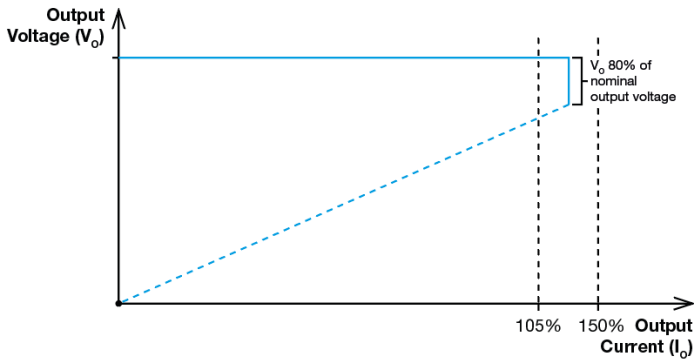


Force-GT DIN Rail Power Supply

24 V 240 W 3 Phase / DRF-24V240W3G□A

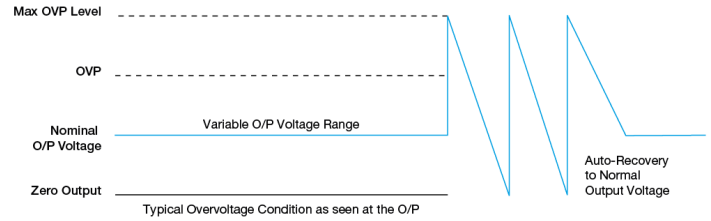
Overload & Overcurrent Protections (Auto-Recovery)

The power supply offers constant current limit protection for inductive and capacitive load applications when output current range is 105~150% of I_o (Max load) and output voltage large than 80%. Upon such an occurrence, the V_o (output voltage) will start to droop. Once the power supply has reached its maximum power limit, the protection will be activated; and, the power supply will operate in continuous current. The power supply will recover once the cause of OLP or OCP is removed, and I_o (output current) is back within the specified range.



Overvoltage Protection (Auto-Recovery)

The power supply's overvoltage circuit will be activated when its internal feedback circuit fails. The output voltage shall not exceed its specifications defined on Page 4 under "Protections".

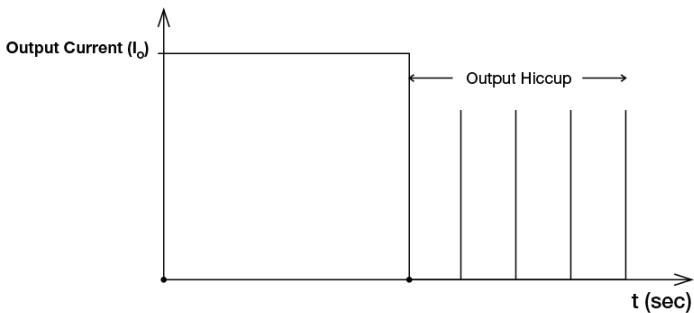


Over Temperature Protection (Auto-Recovery)

As described in load de-rating section, the power supply also has Over Temperature Protection (OTP). In the event of a higher operating temperature at 100% load, the power supply will run into OTP when the operating temperature is beyond what is recommended in the de-rating graph. When activated, the output voltage will go into bouncing mode until the temperature drops to its normal operating temperature as recommended in the de-rating graph.

Short Circuit Protection (Auto-Recovery)

The power supply's output Short Circuit Protection function also provides protection against short circuits. When a short circuit is applied, the output current will operate in "Hiccup mode". The power supply will return to normal operation after the short circuit is removed.



External Input Protection Device

The unit is protected with internal fuse at L1, L2 and L3 pins, with an internal fuse that cannot be replaced. The power supply has been tested and approved on 20 A (UL) and 16 A (IEC) branch circuits without additional protection device. An external protection device is only required if the supplying branch has an ampacity greater than above. Thus, if an external protective device is necessary, or, utilized, please refer a minimum value in instruction sheet with 4 A B- or C- characteristic breaker.

Force-GT DIN Rail Power Supply

24 V 240 W 3 Phase / DRF-24V240W3G□A

Operating Mode

■ AC Input Operation

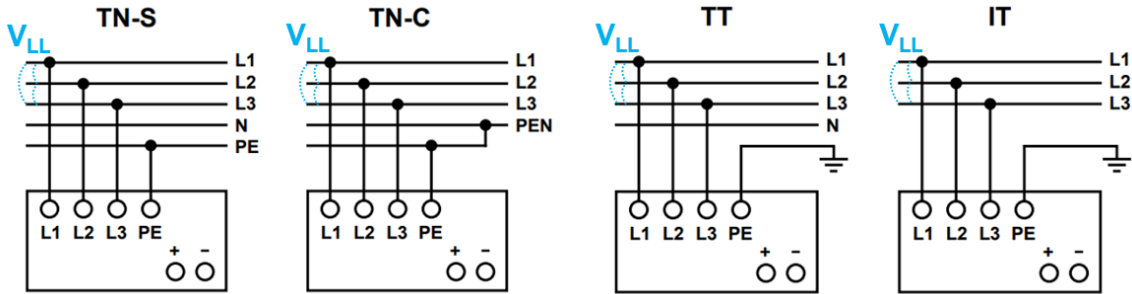


Fig. 4 AC Input Operation Connection Diagram

The power supply is approved for Star or Wye Networks L1, L2, L3 and PE connections. The nominal input voltage is 380-500 Vac phase to phase (V_{LL}), 380-500 Y 3-Phase or equivalent to 220-289 Vac phase to neutral (V_{LN}) voltage system, 220-289 V 3-Phase. The neutral does not connect with input terminal actually.

■ DC Input Operation

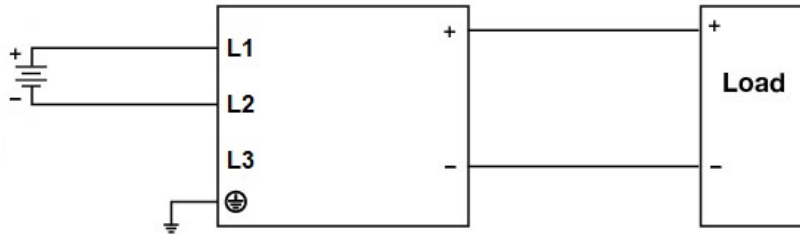


Fig. 5 DC Input Operation Connection Diagram

Step 1.

Use a battery or similar DC source.

Step 2.

Connect either connections of +pole and -pole to L1/L2/L3 as below.

- +pole to L1 and -pole to L2
- +pole to L1 and -pole to L3
- +pole to L2 and -pole to L1
- +pole to L2 and -pole to L3
- +pole to L3 and -pole to L1
- +pole to L3 and -pole to L2

Step 3.

Connect the PE terminal to an earth wire or to the machine ground.

Force-GT DIN Rail Power Supply

24 V 240 W 3 Phase / DRF-24V240W3G□A

Others

Attention

Delta provides all information in the datasheets on an "AS IS" basis and does not offer any kind of warranty through the information for using the product. In the event of any discrepancy between the information in the catalog and datasheets, the datasheets shall prevail (please refer to www.DeltaPSU.com for the latest datasheets information). Delta shall have no liability of indemnification for any claim or action arising from any error for the provided information in the datasheets. Customer shall take its responsibility for evaluation of using the product before placing an order with Delta.

Delta reserves the right to make changes to the information described in the datasheets without notice.

Manufacturer and Authorized Representatives Information

Manufacturer

Thailand

Delta Electronics (Thailand) PCL.
909 Pattana 1 Rd., Muang, Samutprakarn, 10280 Thailand

Taiwan

Delta Electronics, Inc.
3 Tungyuan Road, Chungli Industrial Zone, Taoyuan County
32063, Taiwan

Authorized Representatives

The Netherlands

Delta Greentech (Netherlands) B.V.
Zandsteen 15, 2132 MZ Hoofddorp, The Netherlands

United Kingdom

Delta Electronics Europe Limited
1 Redwood Court, Peel Park Campus,
East Kilbride, Glasgow, G74 5PF, United Kingdom