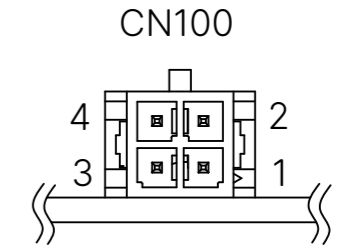
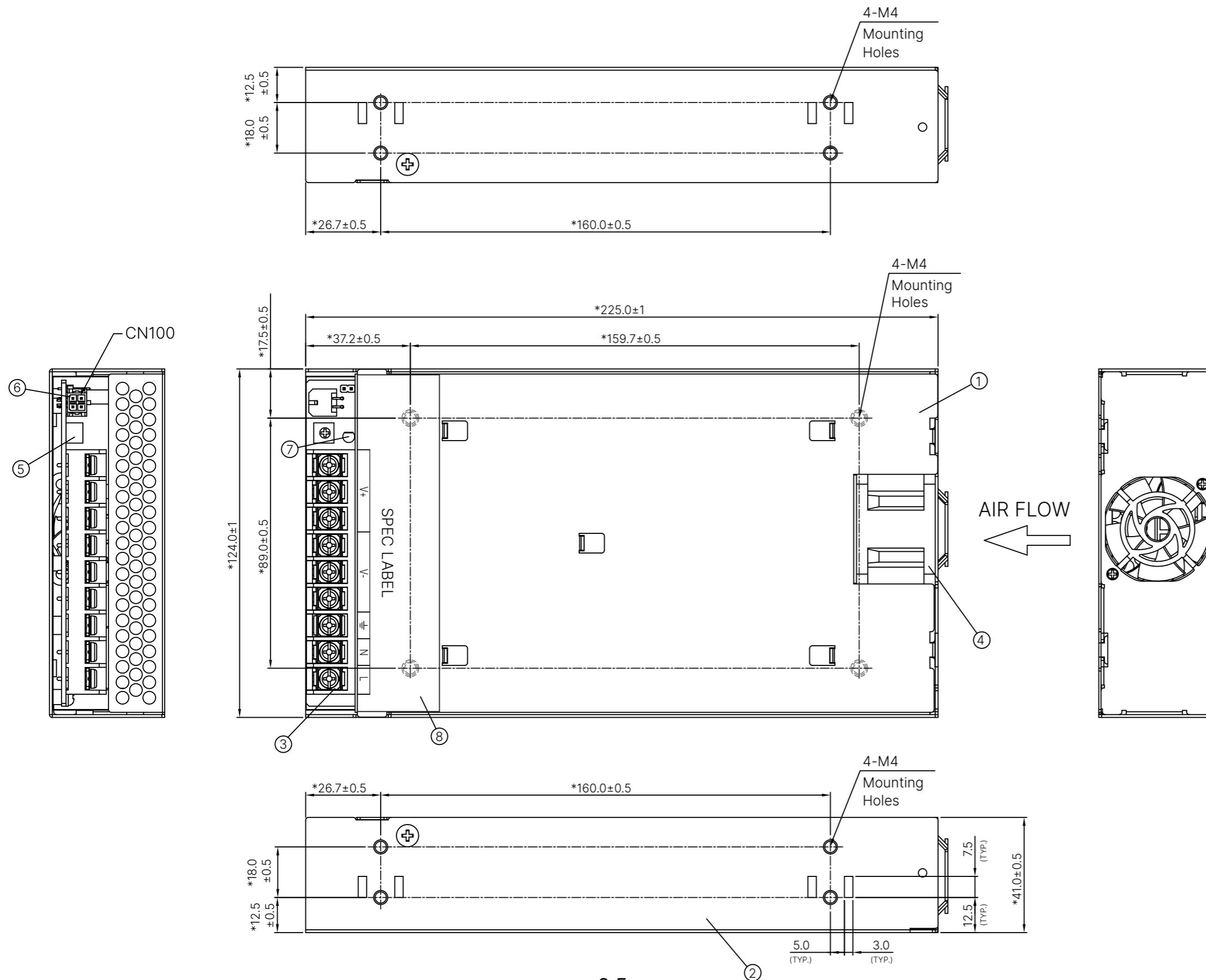


PMR

Panel Mount Power Supply

PMR-□V600W1BT



PIN	CN100 PIN ASSIGNMENT
1	RS+(Remote Sense +)
2	RS-(Remote Sense -)
3	RC+(Remote ON/OFF +)
4	RC-(Remote ON/OFF -)

ITEM	PART NAME
1	COVER
2	CHASSIS
3	INPUT / OUTPUT CONNECTOR
4	FAN
5	OUTPUT VOLTAGE ADJUST
6	OUTPUT CONNECTOR (CVILUX CP3504P1H00-NH)
7	LED
8	SPEC LABEL

UNLESS OTHERWISE SPECIFIED TOLERANCE OF DIMENSION ARE ± 0.5

© 2023 Delta Electronics, Inc.

www.DeltaPSU.com

