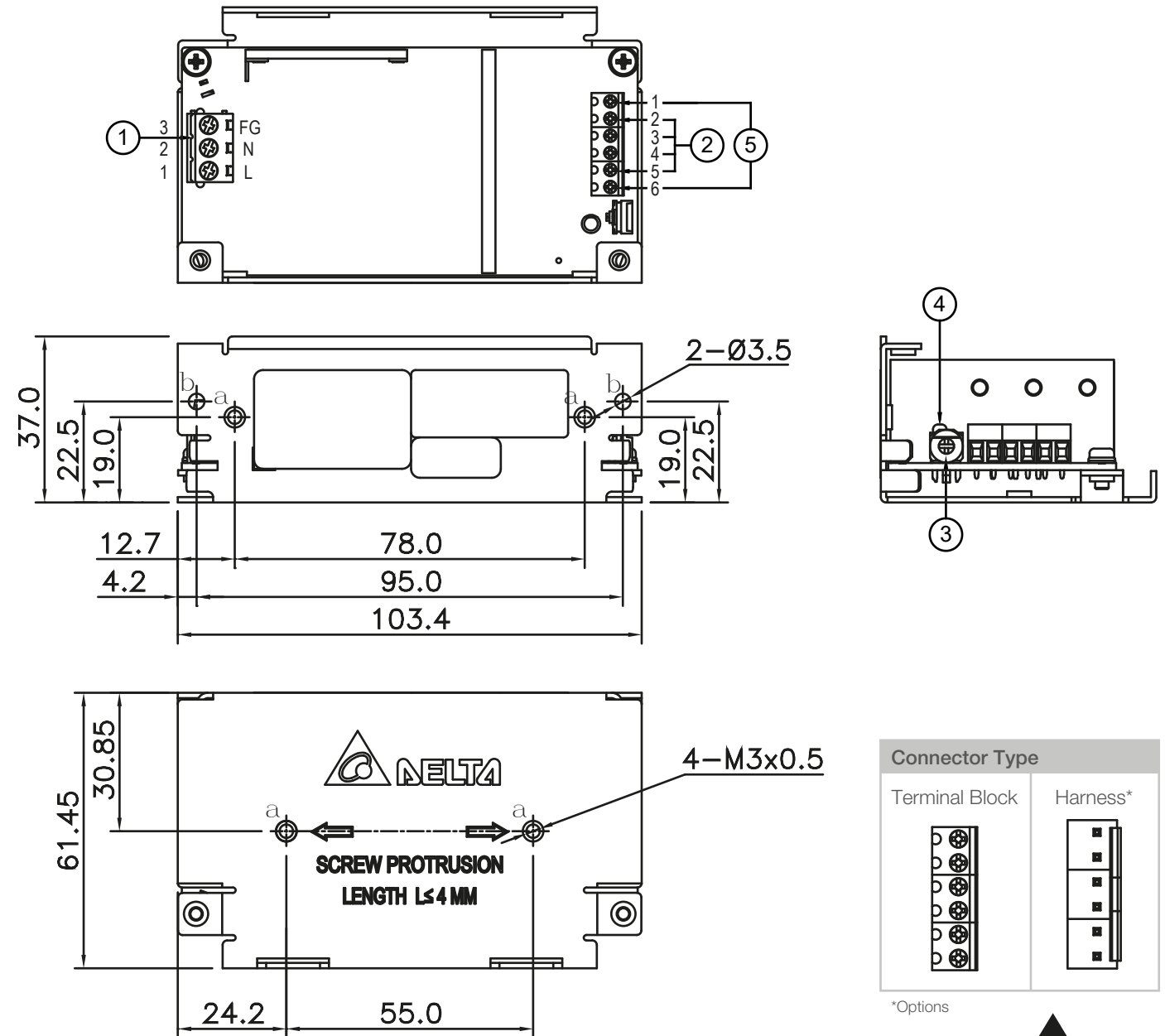




| Item | Device Description |
|------|--|
| 1 | Input Connector (CN1) Pin 1: Line Pin 2: Neutral Pin 3: FG |
| 2 | Output Connector (CN2) Pin 2: V1+ Pin 3: V1- Pin 4: Battery- Pin 5: Battery+ |
| 3 | DC voltage adjustment potentiometer |
| 4 | DC OK control LED (Green) |
| 5 | Signal Connector (for PJU-□V60W□B□ only) Pin 1: AC OK Pin 6: Battery Low |

| Connector Type | |
|----------------|----------|
| Terminal Block | Harness* |
| | |

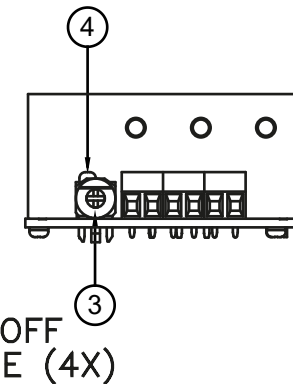
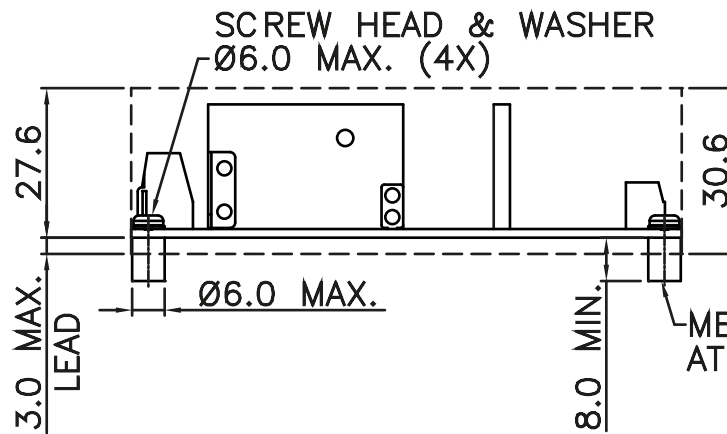
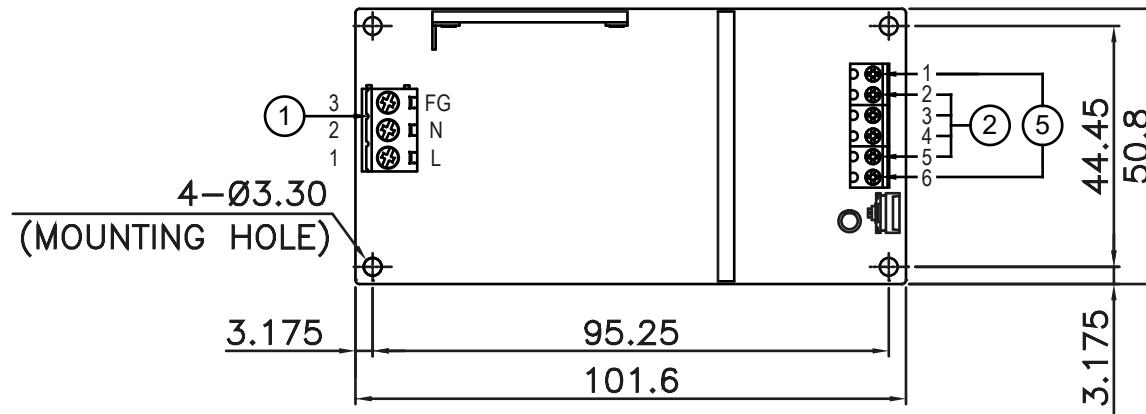
*Options



| Item | Device Description |
|------|--|
| 1 | Input Connector (CN1) Pin 1: Line Pin 2: Neutral Pin 3: FG |
| 2 | Output Connector (CN2) Pin 2: V1+ Pin 3: V1- Pin 4: Battery- Pin 5: Battery+ |
| 3 | DC voltage adjustment potentiometer |
| 4 | DC OK control LED (Green) |
| 5 | Signal Connector (for PJU-□V60W□B□ only) Pin 1: AC OK Pin 6: Battery Low |

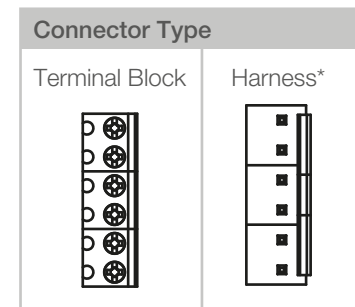
| Connector Type | |
|---|---|
| Terminal Block | Harness* |
|  |  |

*Options



| Item | Device Description |
|------|--|
| 1 | Input Connector (CN1) Pin 1: Line Pin 2: Neutral Pin 3: FG |
| 2 | Output Connector (CN2) Pin 2: V1+ Pin 3: V1- Pin 4: Battery- Pin 5: Battery+ |
| 3 | DC voltage adjustment potentiometer |
| 4 | DC OK control LED (Green) |
| 5 | Signal Connector (for PJU-□V60W□B□ only) Pin 1: AC OK Pin 6: Battery Low |

METAL STAND-OFF AT SYSTEM SIDE (4X)



*Options