

PM	H –	XXV	XXXW	C	□	□
Panel Mount	Product Series H - Household Series	Output Voltage 12V 24V	Output Power 50W 100W 150W 200W	Package Type C - Enclosed	Pollution Degree 2 A - No PFC B - With PFC Pollution Degree 3 C - No PFC D - With PFC L - Low Profile M - Low Profile with NEC Class 2 N - NEC Class 2	Output Non-Isolated to PE (PELV) A - Terminal Block J - IP20 connector L - Front Face H - Harness Output Isolated to PE (SELV) S - Terminal Block U - IP20 Connector V - Front Face T - Harness

1. Technical Data

	100WCL□	100WCM□	50WCA□	100WCA□	100WCC□	100WCN□	100WCL□	100WCM□	150WCB□	150WCD□	150WCL□	200WCB□
Input												
Nominal input voltage	100-240Vac		100-240Vac; or 125-250Vdc				100-240Vac					
Voltage range	90-264Vac		90-264Vac; or 120-375Vdc				90-264Vac					
Output												
Nominal output voltage	12Vdc		24Vdc									
Output voltage adjustment range	12-14Vdc	11-12Vdc	22-28Vdc			22-24Vdc	24-28Vdc	22-24Vdc	22-28Vdc		24-28Vdc	22-28Vdc
Maximum output power ⁽¹⁾	102W	54W	50W	100W	100W (current from 3.57A to 4.16A)	91.2W (fix current at 3.8A)	108W	91.2W (fix current at 3.8A)	150W	150W	156W	200W
Rated ambient temperature	+70°C (Refer output power de-rating)											
Output power de-rating	Vertical: > 50°C (2% / °C)		Vertical & Horizontal: > 50°C (2.5% / °C)				Vertical: > 50°C (2% / °C)		Vertical & Horizontal: > 50°C (2.5% / °C)		Vertical: > 50°C (2.5% / °C)	Vertical & Horizontal: > 45°C (2% / °C)
Operating altitude	5,000m		4,600m		5,000m							
Notes: (1) Unless otherwise specified, any output voltage higher than nominal output voltage, the maximum output current has to be reduced accordingly, in order not to exceed maximum output power.												

2. Safety Instructions

- To ensure sufficient convection cooling, always maintain a safety distance of $\geq 20\text{mm}$ from all ventilated surfaces while the device is in operation.
- For PMH-100WCL□, PMH-100WCM□ and PMH-150WCL□ models, always maintain a safety distance of $\geq 50\text{mm}$ from all four sides while the device is in operation. The cover's top ventilated surface must be kept free from any obstructions.
- The device is not recommended to be placed on low thermal conductive surface, for example, plastics.
- Note that the enclosure of the device can become very hot depending on the ambient temperature and load of the power supply. Do not touch the device while it is in operation or immediately after power is turned OFF. Risk of burning!
- Do not touch the terminals while power is being supplied. Risk of electric shock.
- Prevent any foreign metal, particles or conductors to enter the device through the openings during installation. It can cause: Electric shock; Safety Hazard; Fire; Product failure
- The appliance is not to be used by persons (including children) with reduced physical, sensory or mental capabilities, or lack of experience and knowledge, unless they have been given supervision or instruction.
- The power supply must be mounted by metal screws onto a grounded metal surface.
- Warning: When connecting the device, secure Earth connection before connecting L and N. When disconnecting the device, remove L and N connections before removing the Earth connection.
- The device is earthed and must be inaccessible.

3. Device Descriptions

► **PMH-50WCA□** (Refer to Fig. 1.1)

- ① Input & Output connector
- ② DC voltage adjustment potentiometer
- ③ DC OK control LED (Green)

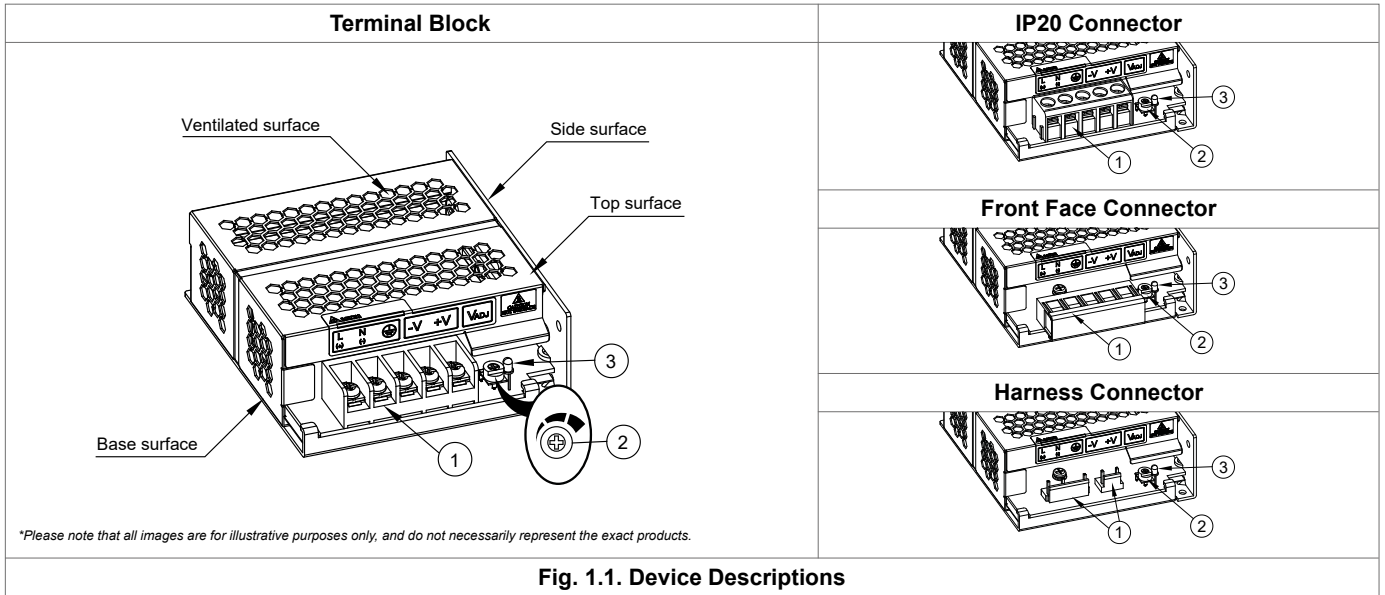


Fig. 1.1. Device Descriptions

► **PMH-100WCA□, PMH-100WCC□, PMH-100WCN□, PMH-150WCA□, PMH-150WCD□, PMH-200WCB□** (Refer to Fig. 1.2)

- ① Input & Output connector
- ② DC voltage adjustment potentiometer
- ③ DC OK control LED (Green)

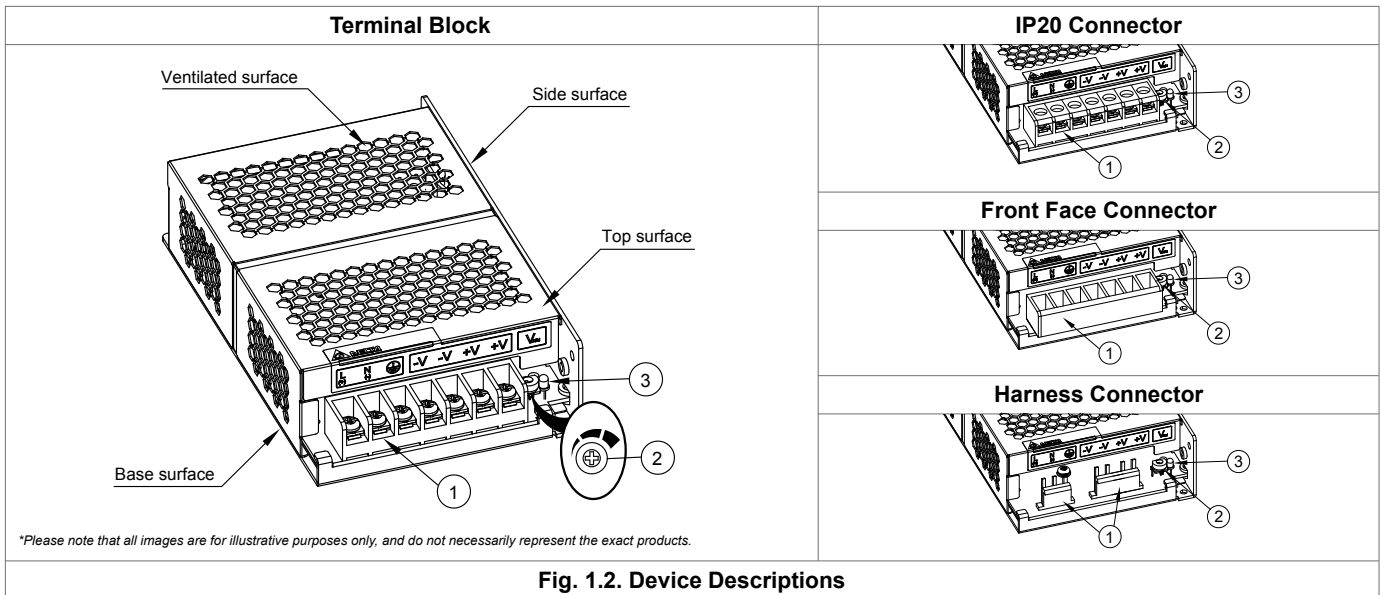


Fig. 1.2. Device Descriptions

► **PMH-100WCL□, PMH-100WCM□, PMH-150WCL□** (Refer to Fig. 1.3)

- ① Input & Output connector
- ② DC voltage adjustment potentiometer
- ③ DC OK control LED (Green)

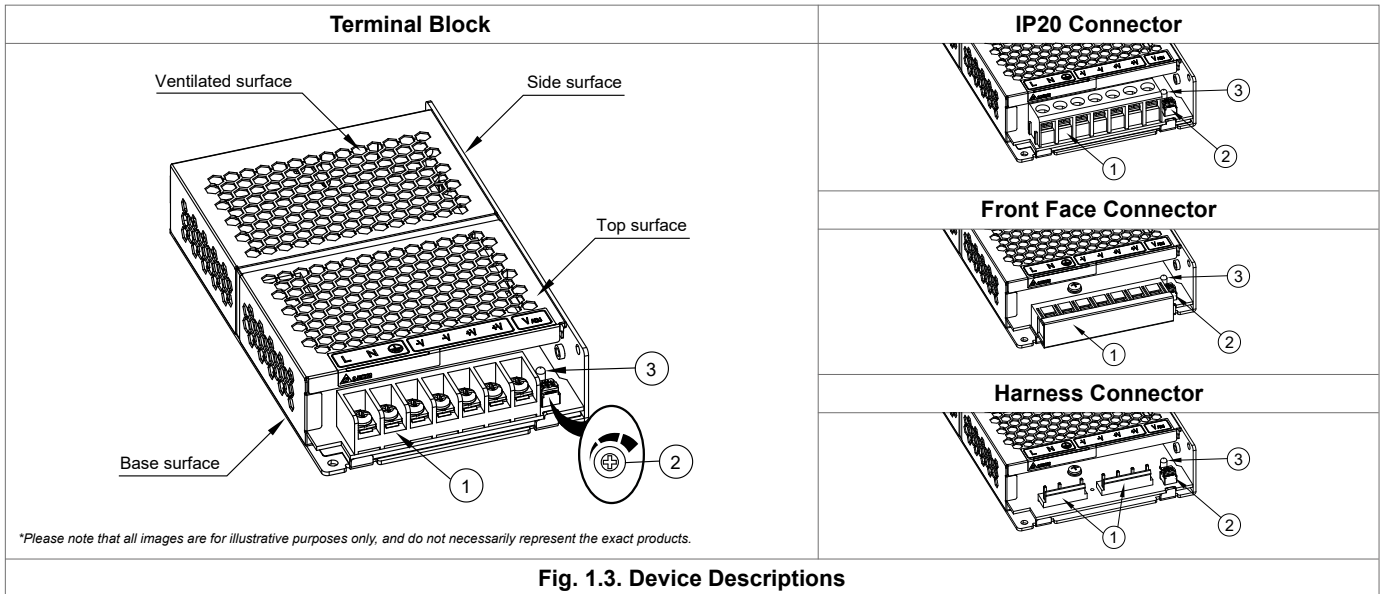


Fig. 1.3. Device Descriptions

4. Installation of the Device

► **PMH-50WCA□, PMH-100WCA□, PMH-100WCC□, PMH-100WCN□, PMH-150WCA□, PMH-150WCD□, PMH-200WCB□** (Refer to Fig. 2.1)

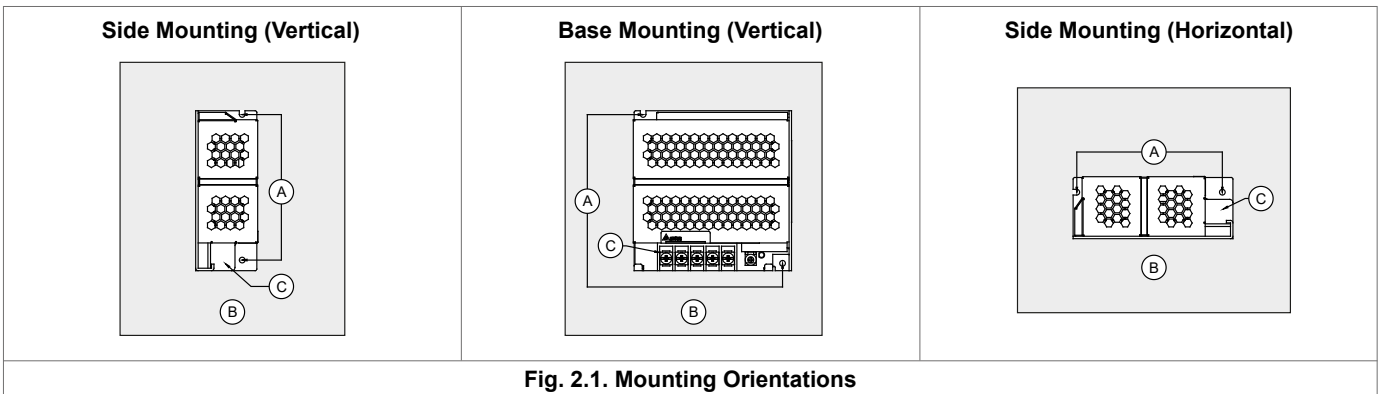


Fig. 2.1. Mounting Orientations

- Ⓐ Mounting holes for power supply assembly onto the mounting surface. The power supply shall be mounted on minimum 2 mounting holes using M3 screw minimum 5mm length.
- Ⓑ This surface belongs to customer's end system or panel where the power supply is mounted.
- Ⓒ Connector

► **PMH-100WCL□, PMH-100WCM□, PMH-150WCL□** (Refer to Fig. 2.2)

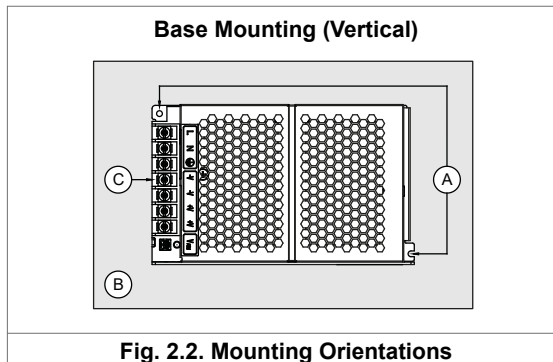


Fig. 2.2. Mounting Orientations

- Ⓐ Mounting holes for power supply assembly onto the mounting surface. The power supply shall be mounted on minimum 2 mounting holes using M3 screw minimum 5mm length.
- Ⓑ This surface belongs to customer's end system or panel where the power supply is mounted.
- Ⓒ Connector

5. Connection

Connector Type	Specifications		12V					24V							
			100WCL	100WCM	50WCA	100WCA	100WCC	100WCL	100WCM	100WCN	150WCB	150WCD	150WCL	200WCB	
Terminal Block ⁽²⁾	Stranded or Solid Wire Size	AWG	20-14												
IP20 Connector ⁽²⁾	Stranded or Solid Wire Size	AWG	20-12												
Front Face Connector ⁽²⁾	Stranded or Solid Wire Size	AWG	20-12												
Harness Connector	Input (CN1)	JST	Header (Board Mounting)	B3P(6-2.3.5)-VH(LF)(SN)											
			Mating Connector	VHR-6N											
		Terminal	SVH-21T-P1.1												
		AWG	20-18												
	Output (CN2)	JST	Header (Board Mounting)	B4P7-VH (LF)(SN)	B2P3-VH (LF)(SN)	B4P7-VH(LF)(SN)									
			Mating Connector	VHR-7N	VHR-3N	VHR-7N									
		Terminal	SVH-21T-P1.1												
		AWG	20-18												

Notes:

(2) The torque at the Connector shall not exceed 13 Kgf.cm. The insulation stripping length should not exceed 0.275" or 7mm (Refer to Fig. 3).

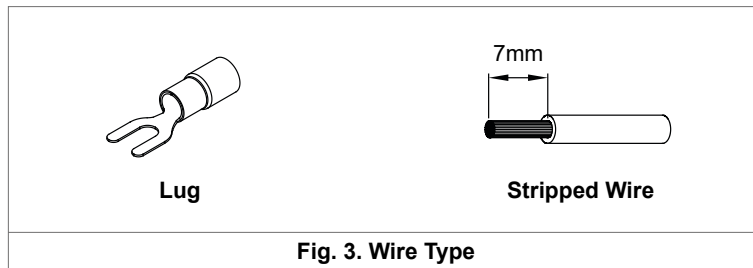


Fig. 3. Wire Type

6. Installation of Mounting Accessories (Refer to Fig. 4)

- Only use the recommended screw size, length and mounting tightening torque for the base mounting holes. This is to keep a safety distance between the screw and internal components.

Specifications		12V					24V						
		100WCL	100WCM	50WCA	100WCA	100WCC	100WCL	100WCM	100WCN	150WCB	150WCD	150WCL	200WCB
Screw Size	Metric	M3											
Max. Protrusion Screw Length	mm	3.5	6			3.5	6			3.5	5		
Mounting Tightening Torque	Kgf.cm	4~8											

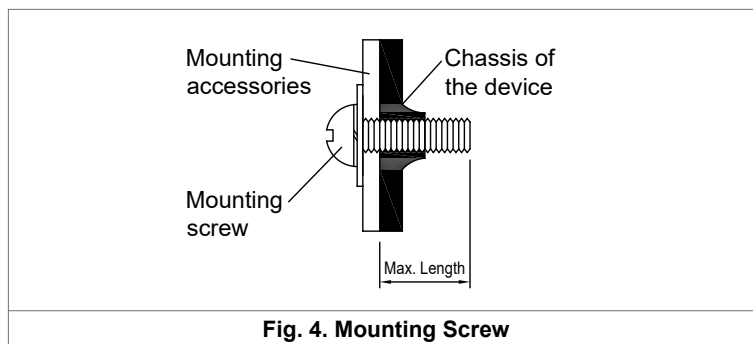


Fig. 4. Mounting Screw

Manufacturer:

Delta Electronics (Thailand) PCL.
909 Pattana 1 Rd., Muang,
Samutprakarn, 10280 Thailand

Authorized Representative:

Delta Greentech (Netherlands) B.V.
Zandsteen 15, 2132 MZ Hoofddorp,
The Netherlands