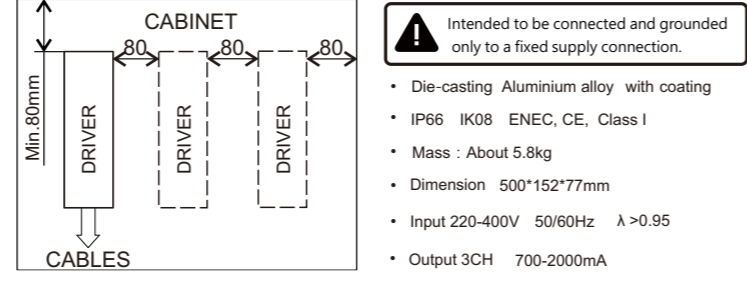


The Mounting holes for the LED driver . There are 2 mounting holes at either end of the LED driver, Mountings shall be done using M8 screws with minimum length of 12mm, If customer's end system or panel where LED driver is mounted does not have screw threads, please use the suitable metal screws and nuts to secure the LED driver. (Location @ and ①)

- ALWAYS switch mains of input power OFF before connecting and disconnecting the input voltage to the LED driver, If mains are not turned OFF, there is a risk of explosion/severe damage.
- To guarantee sufficient convection cooling, keep a distance of 80 mm above and lateral distance to nearby objects, and the installation orientation should follow the left figure.
- The LED driver is forbidden to be installed in areas that are prone to water or snow accumulation to avoid irreparable damage.
- The LED driver is not recommended to be placed on low thermal conductive surfaces. For example, plastics. DO NOT insert any objects into the LED driver.
- Note that the enclosure of LED driver can become very hot depending on the surrounding air temperature and output load connected to the LED driver. Risk of burns!
- When the PE (Green/Yellow) wire of LED driver is not connected, LED driver must be installed on a metal plate that has a PE connection.
- The current rating for the all wires, connected to the input and output wires of LED driver, must be rated higher than or equal to the input and output current of the power supply.
- For the equipment with dimming control , please make sure that the dimming control works normally.
- Please ensure the correct tools are used for all adjustments and installations of LED driver. If in doubt, please consult your local Delta support or contact us via info@DeltaPSU.com.

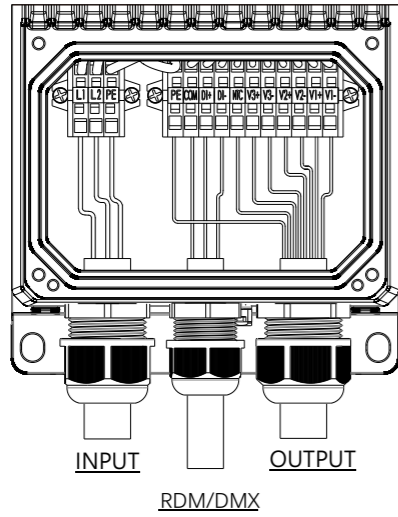


⚠ Intended to be connected and grounded only to a fixed supply connection.

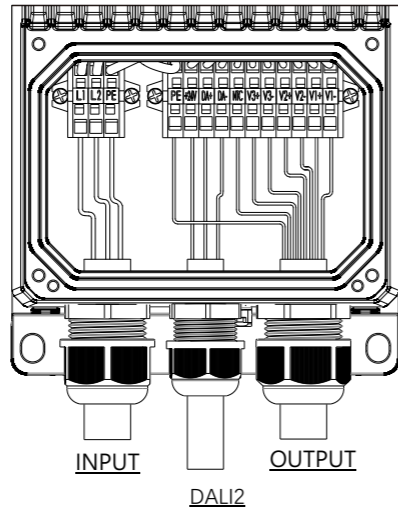
- Die-casting Aluminium alloy with coating
- IP66 IK08 ENEC, CE, Class I
- Mass : About 5.8kg
- Dimension 500*152*77mm
- Input 220-400V 50/60Hz λ > 0.95
- Output 3CH 700-2000mA

⚠ Surface ① belongs to the customer's end product where LED driver is mounted, LED driver should be mounted on a sturdy high thermal conductive surface with minimum of 4 mounting holes. For example, metal. If LED driver is forced to be placed on a low thermal conductive surfaces. For example, woods or plastics. To guarantee sufficient convection cooling, please keep a distance of 80mm above and lateral distance to nearby objects.

RDM/DMX Version



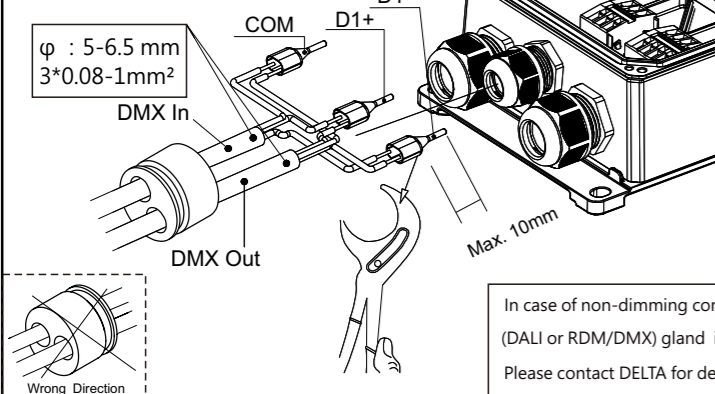
DALI Version



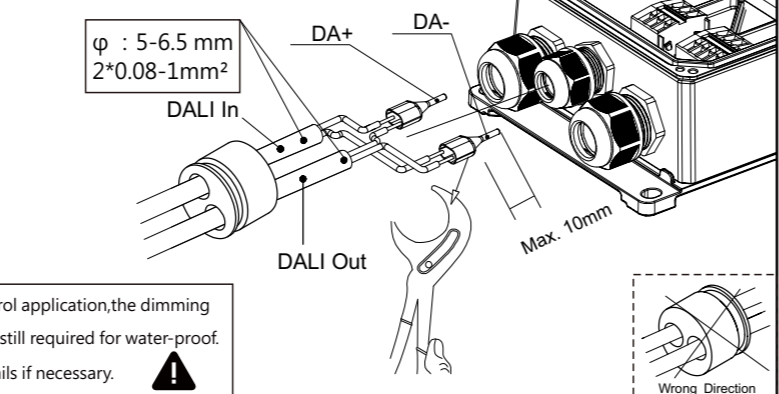
Number	Marker	Description
1	L1	AC input
2	L2	AC input
3	PE	Protective earth
4	PE	PE for LED module
5	+24V or COM	+24V input or RDM/DMX input
6	DA+ or D1+	DALI input or RDM/DMX input
7	DA- or D1-	DALI input or RDM/DMX input
8	NTC	Thermal protection for LED Fixture
9	V3+	Output channel 3+
10	V3-	Output channel 3-
11	V2+	Output channel 2+
12	V2-	Output channel 2-
13	V1+	Output channel 1+
14	V1-	Output channel 1-

⚠ -The wiring should be strictly followed by the marking label instruction, -Otherwise the product could be damaged or the functions could be affected. -Each set of + or - are not potential identical, cross connection is prohibited.

DMX In & Out(Optional)

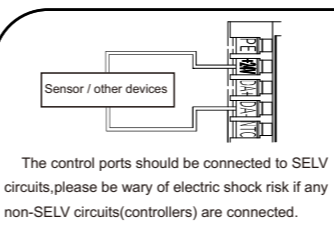
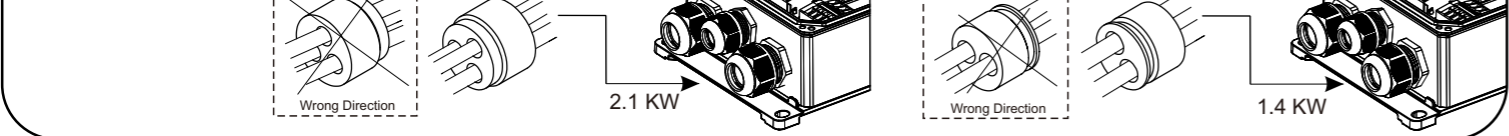


DALI In & Out(Optional)

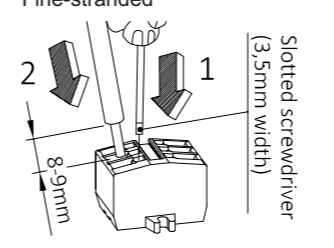


In case of non-dimming control application, the dimming (DALI or RDM/DMX) gland is still required for water-proof. Please contact DELTA for details if necessary.

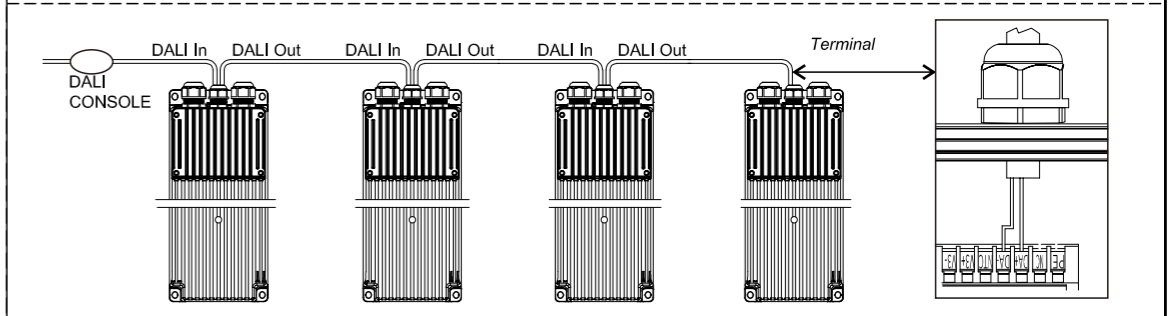
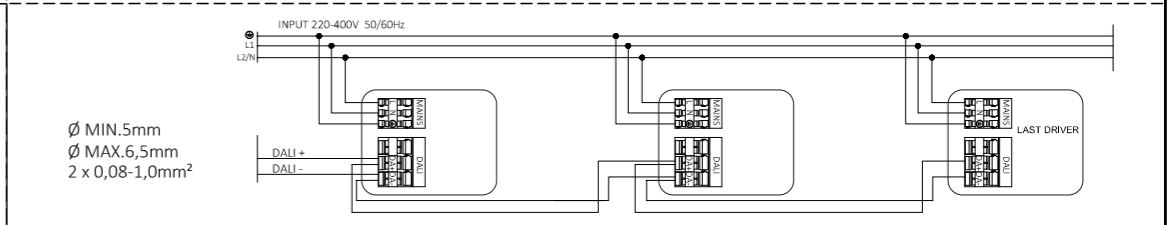
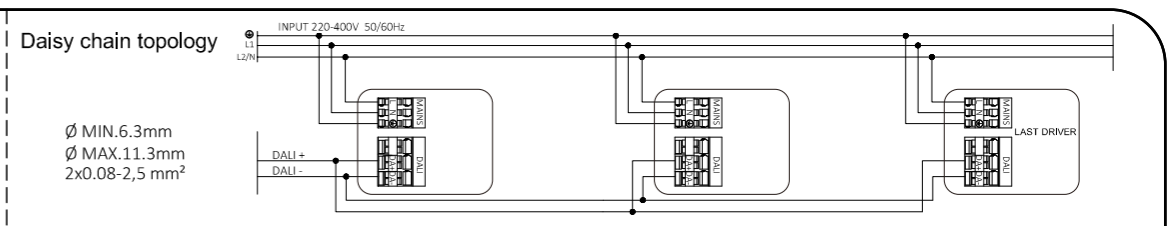
OUTPUT (Optional)



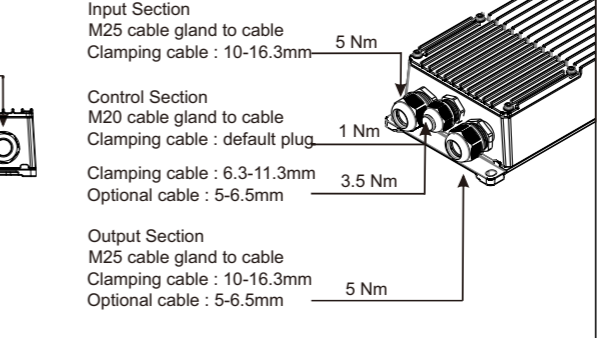
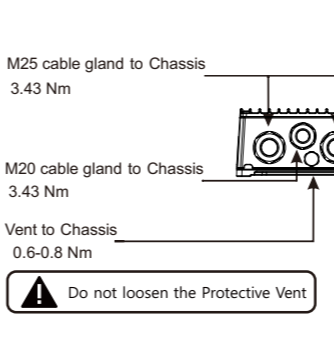
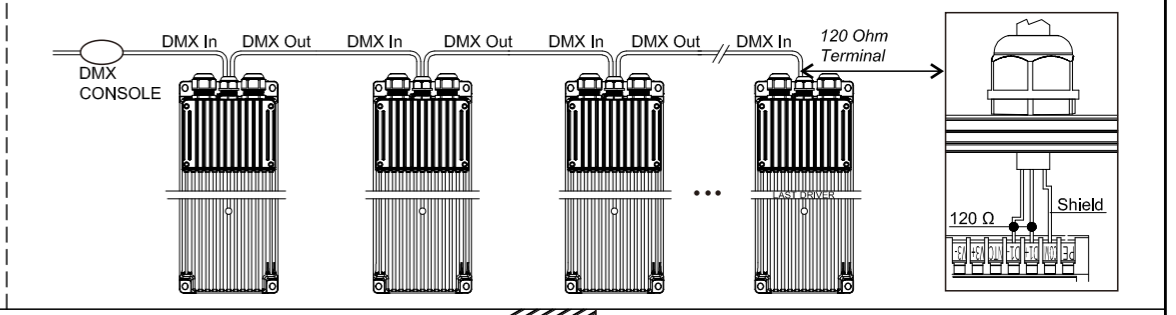
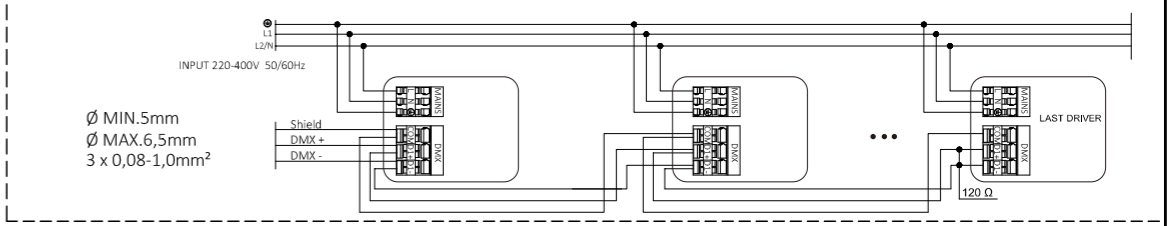
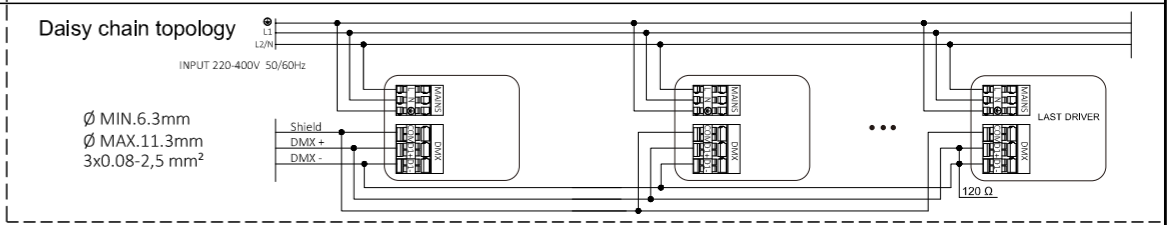
The control ports should be connected to SELV circuits, please be wary of electric shock risk if any non-SELV circuits (controllers) are connected.



Connector: Wago 264 series
Cross section: 0.08 - 2.5 mm²
Cross section: 28 - 12 AWG



Points for attention about RDM/DMX version:
-DMX is a three-wire system. Use all three!
-DMX is based on the EIA-485/RS-485 standard
-Always use cable specifically designed for DMX / RS-485 For instance: Belden 9841 or 3105a
-DMX must be terminated with a 120Ω resistor to prevent reflections.
-A daisy chain topology should be used.
-After 32 unit loads a repeater/booster should be used.
-Keep cabling below 300 metres between the controller and the last driver



Authorized representative:
Delta Electronics (Netherlands) B.V.
Zandsteen 15, 2132 MZ Hoofddorp, The Netherlands
Manufacturer:
Delta Electronics(Wuhu) Ltd.
No. 138, Jiuhua North Road, Longshan Street,
Economic-technical Development Area,
Wuhu City, Anhui Province, P.R.China.
DALI version
EUCCO-2K1200GIA: 2100W DALI LED DRIVER
EUCCO-1K4200GIA: 1400W DALI LED DRIVER
DMX/RDM version
EUCCO-2K1200GDA: 2100W RDM/DMX LED DRIVER
EUCCO-1K4200GDA: 1400W RDM/DMX LED DRIVER

DELTA

CAUTION
HIGH VOLTAGE
Disconnect all power sources

CAUTION
When unlocking the screws of the CAP, the white waterproof sealant shall be kept in the groove.

UL LISTED E336604

IP66 IK08

DELTA ELECTRONICS, INC.