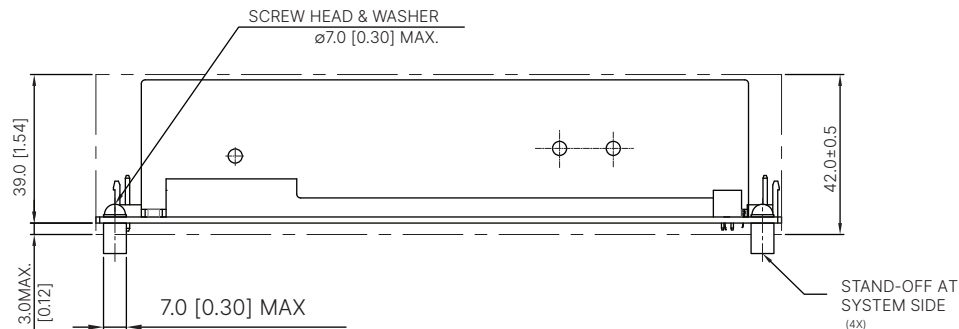
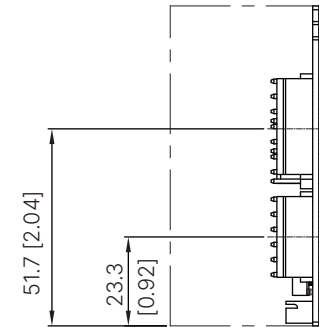
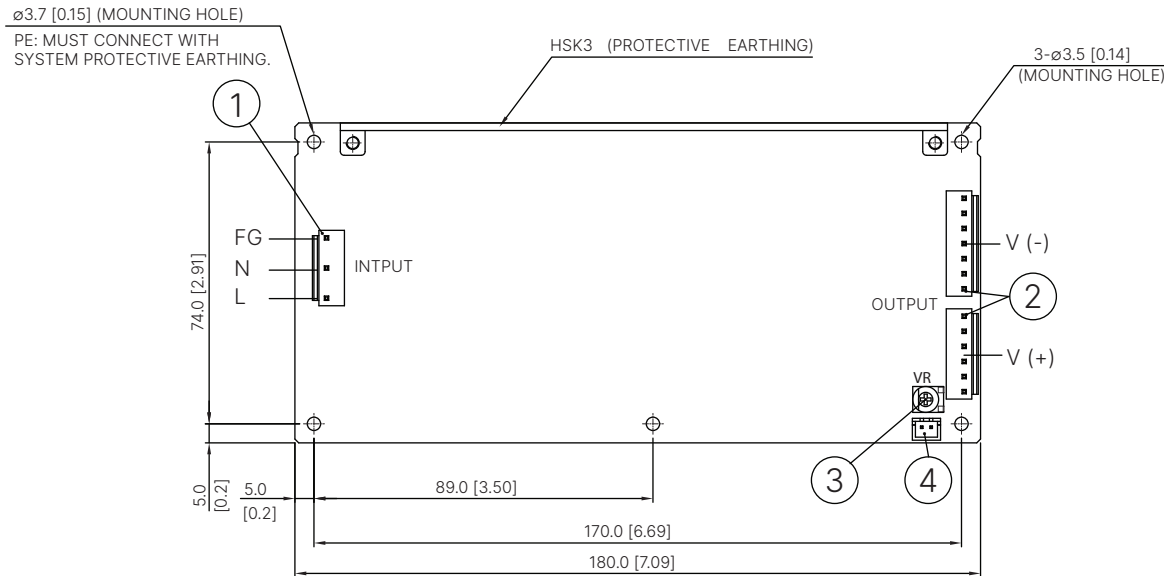
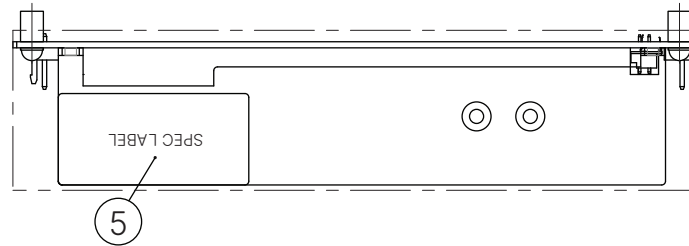


# PJB

## PJB Open Frame Power Supply 24V 240W 1 Phase / PJB24V240WB□A

### ■ Open Frame

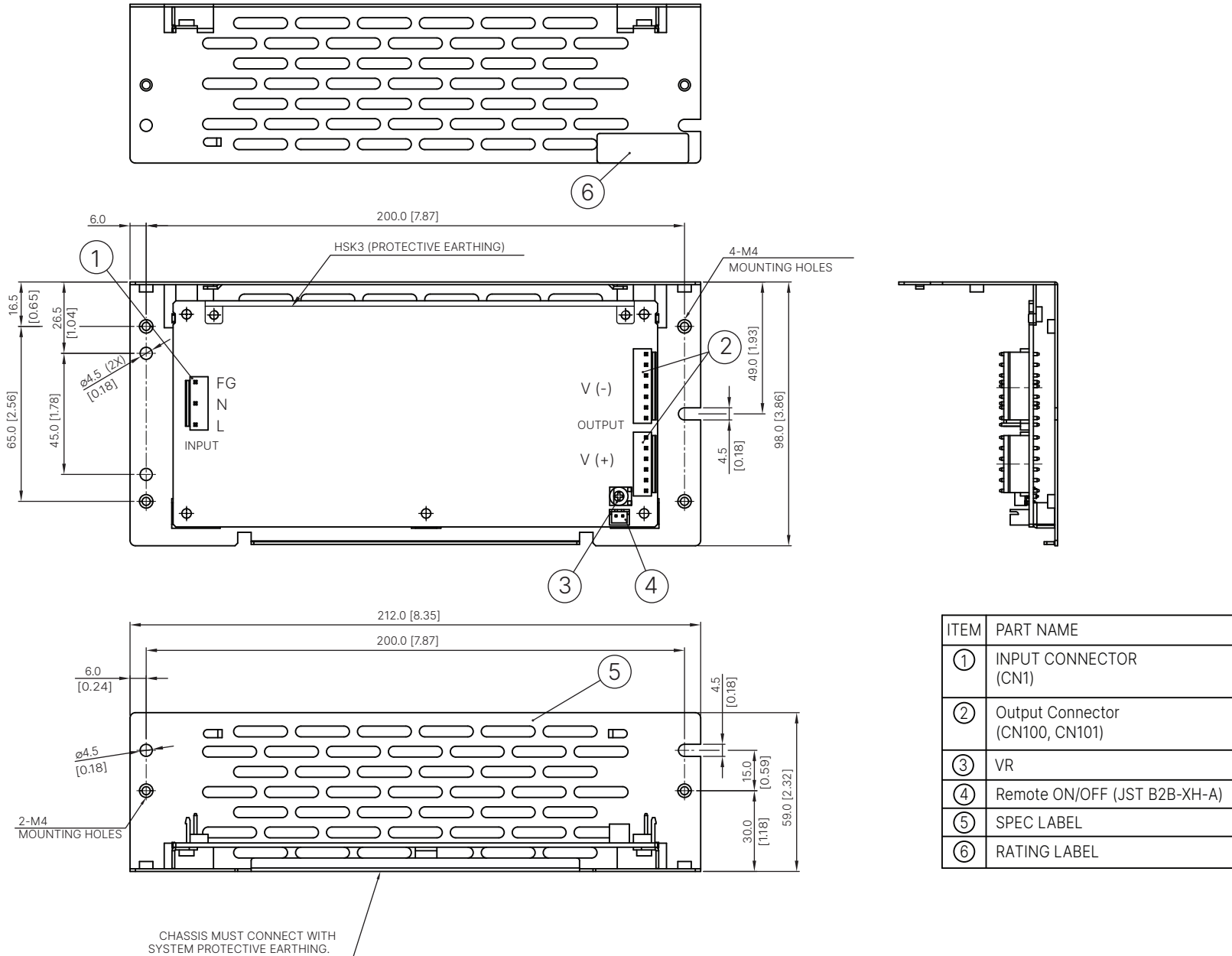


ITEM	PART NAME
①	INPUT CONNECTOR (CN1)
②	Output Connector (CN100, CN101)
③	VR
④	Remote ON/OFF (JST B2B-XH-A)
⑤	SPEC LABEL

# PJB

## PJB Open Frame Power Supply 24V 240W 1 Phase / PJB24V240WL□A

### ■ L Frame

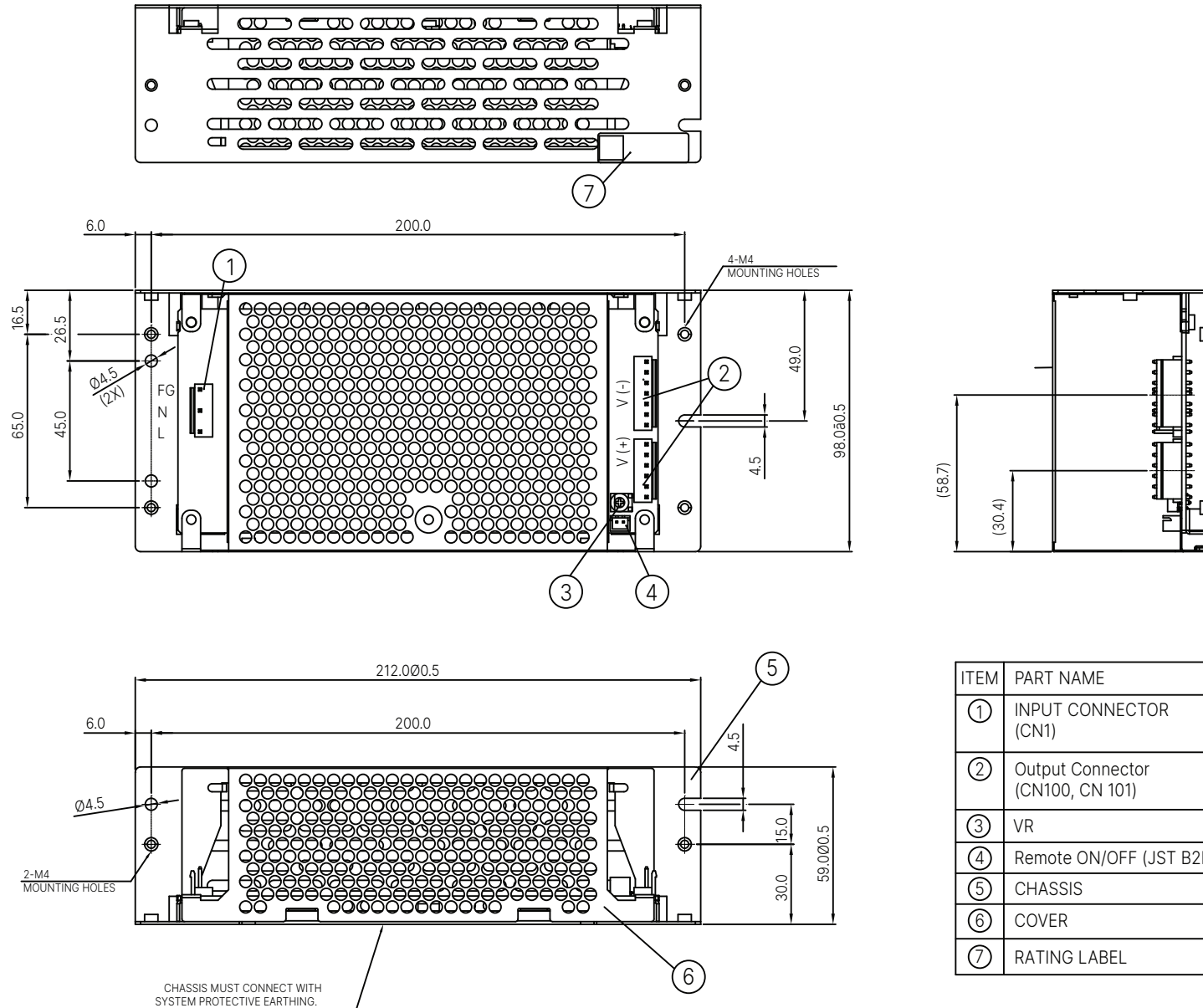


ITEM	PART NAME
①	INPUT CONNECTOR (CN1)
②	Output Connector (CN100, CN101)
③	VR
④	Remote ON/OFF (JST B2B-XH-A)
⑤	SPEC LABEL
⑥	RATING LABEL

# PJB

## PJB Open Frame Power Supply 24V 240W 1 Phase / PJB24V240WC□A

■ Enclosed



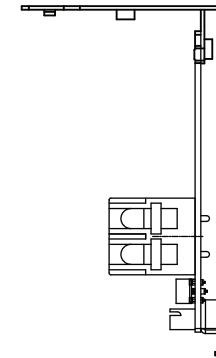
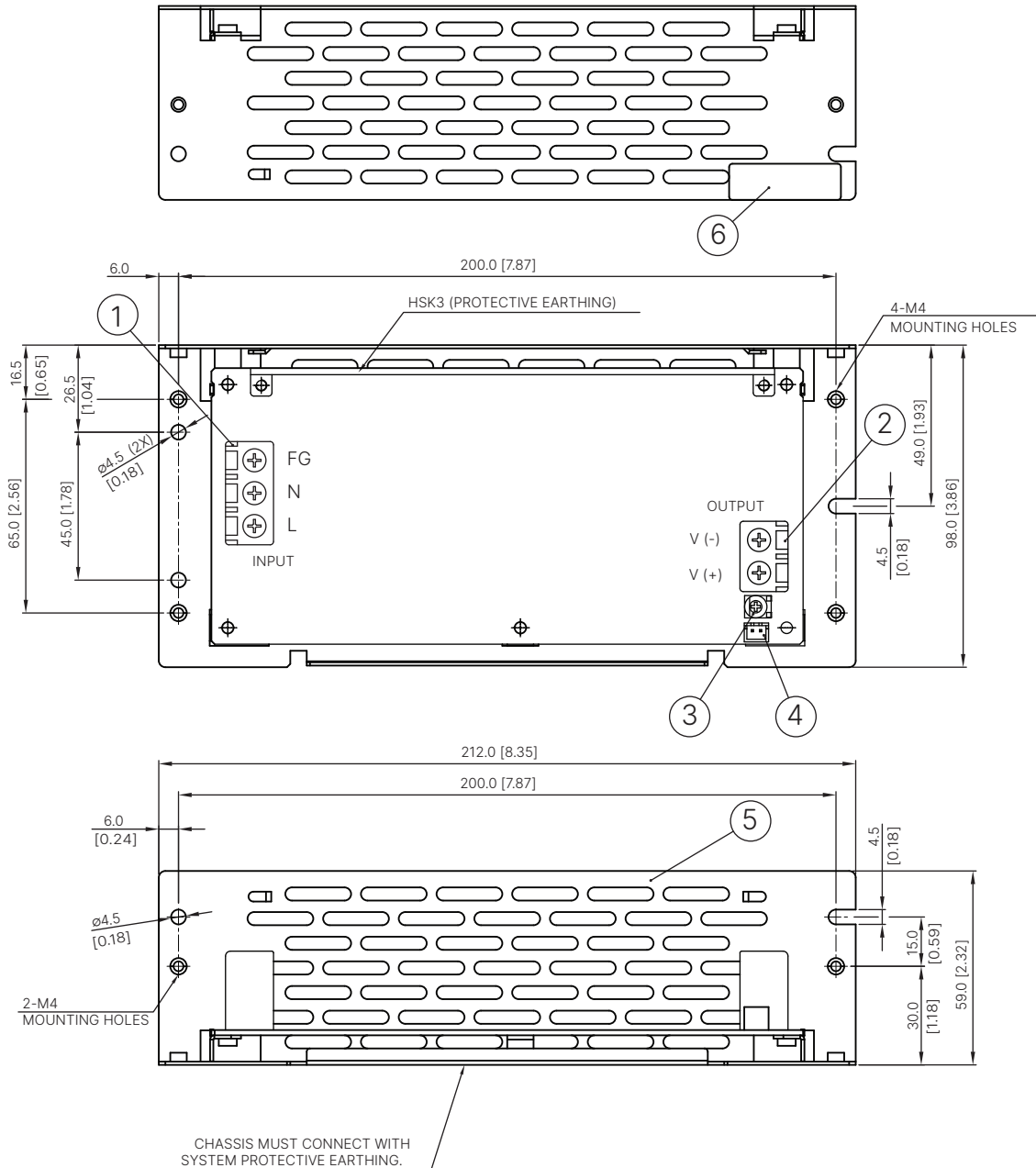
ITEM	PART NAME
①	INPUT CONNECTOR (CN1)
②	Output Connector (CN100, CN 101)
③	VR
④	Remote ON/OFF (JST B2B-XH-A)
⑤	CHASSIS
⑥	COVER
⑦	RATING LABEL



# PJB

## PJB Open Frame Power Supply 24V 240W 1 Phase / PJB24V240WL□J

### ■ L Frame



ITEM	PART NAME
①	INPUT CONNECTOR (CN1)
②	Output Connector (CN102)
③	VR
④	Remote ON/OFF (JST B2B-XH-A)
⑤	SPEC LABEL
⑥	RATING LABEL

# PJB

## PJB Open Frame Power Supply 24V 240W 1 Phase / PJB24V240WC□J

■ Enclosed

