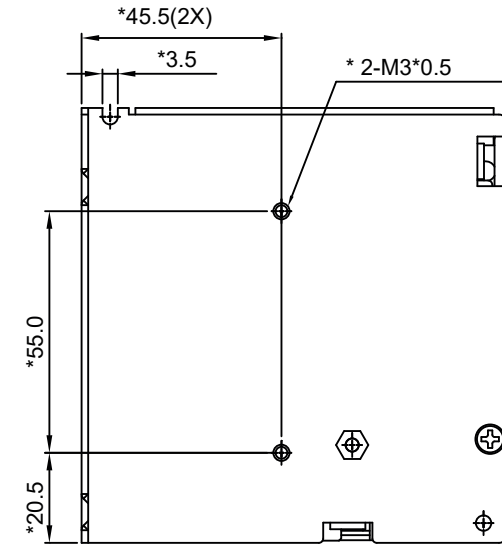
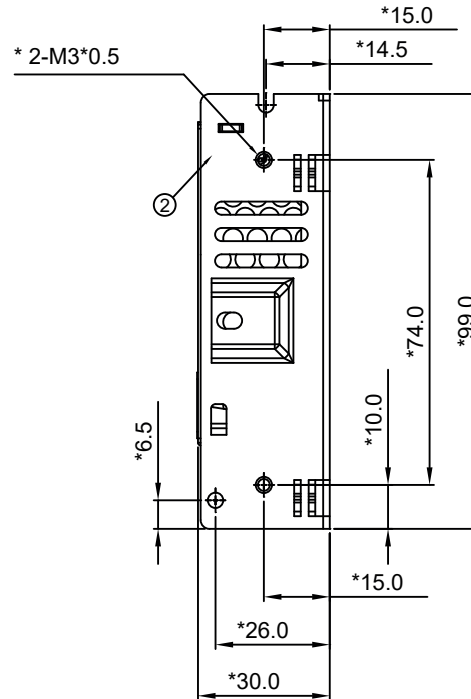
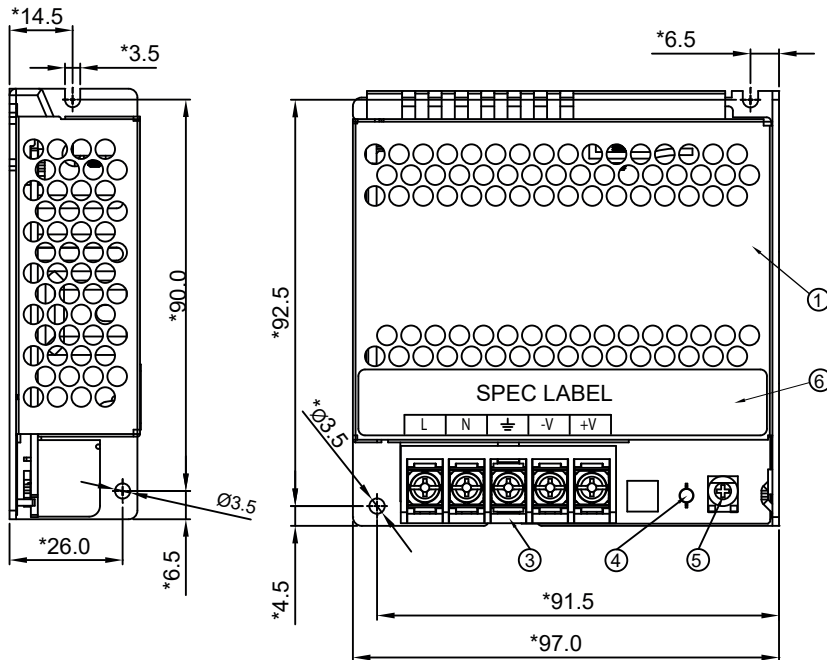
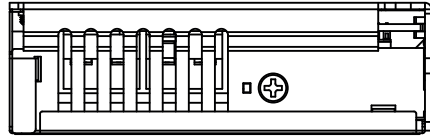


# PMT2

## PMT2 Panel Mount Power Supply

PMT-□V75W2B□



AC INPUT L  
AC INPUT N  
PE  
V-  
V+  
LED  
ADJ V+

TABLE.

ITEM	PART NAME	REMARKS
①	COVER	NATURE
②	CHASSIS	NATURE
③	TERMINAL BLOCK 5 PIN	BLACK
④	LED	GREEN
⑤	VR	--
⑥	SPEC LABEL	--

UNLESS OTHERWISE SPECIFIED TOLERANCE OF DIMENSION ARE ±0.5.