






# Medical Power Supplies




# Medical Power Supplies

## Open Frame Power Supplies

Series	Model Name	CC Code	Input Terminal	Output Terminal	Output				Dimensions (mm) (L x W x H)	
					Voltage	Convection		Forced Air		
						Current	Power	Current	Power	
 <ul style="list-style-type: none"> <li>Standard footprint offers versatile output and wattage</li> </ul>	MDS-040APS12B	A	JST B2P3-VH	JST B4P-VH	12 V	3.33 A	40 W	-	-	76.2 x 50.8 x 23
	MDS-065APS12B	A	JST B2P3-VH	JST B4P-VH		5.42 A	65 W	-	-	101.6 x 50.8 x 30
	MDS-100APS12B	A	JST B2P3-VH	JST B8P-VH		8.33 A	100 W	-	-	127 x 76.2 x 31
	MDS-100BPS12B	A	JST B2P3-VH	JST B4P-VH		6.67 A	80 W	8.33 A	100 W	101.6 x 50.8 x 31.8
	MDS-250APB12	AA	Molex 26-62-4030	M3 PCB terminal		12.5 A	150 W	20.84 A	250 W	127.3 x 76.5 x 36.6
	MDS-250APB12	AB				12.5 A	150 W	20.84 A	250 W	127.3 x 76.5 x 36.6
	MDS-300APB12	AA	Molex 26-62-4030	M3 PCB terminal		18.33 A	220 W	25.0 A	300 W	127.3 x 76.5 x 36.6
	MDS-400APB12	AA	Molex 171813-9998	M3 PCB terminal		16.67 A	200 W	33.33 A	400 W	127.3 x 76.5 x 36.6
	MDS-400APB12	AB				16.67 A	200 W	33.33 A	400 W	127.3 x 76.5 x 36.6
	MDS-040APS15B	A	JST B2P3-VH	JST B4P-VH	15 V	2.67 A	40 W	-	-	76.2 x 50.8 x 23
	MDS-065APS15B	A	JST B2P3-VH	JST B4P-VH		4.2 A	65 W	-	-	101.6 x 50.8 x 30
	MDS-100APS15B	A	JST B2P3-VH	JST B8P-VH		6.67 A	100 W	-	-	127 x 76.2 x 31
	MDS-100BPS15B	A	JST B2P3-VH	JST B4P-VH		5.3 A	80 W	6.7 A	100 W	101.6 x 50.8 x 31.8
	MDS-040APS18B	A	JST B2P3-VH	JST B4P-VH	18 V	2.22 A	40 W	-	-	76.2 x 50.8 x 23
	MDS-065APS18B	A	JST B2P3-VH	JST B4P-VH		3.61 A	65 W	-	-	101.6 x 50.8 x 30
	MDS-100APS18B	A	JST B2P3-VH	JST B8P-VH		5.55 A	100 W	-	-	127 x 76.2 x 31
	MDS-100BPS18B	A	JST B2P3-VH	JST B4P-VH		4.4 A	80 W	5.5 A	100 W	101.6 x 50.8 x 31.8
	MDS-300APB18	AA	Molex 171813-9998	M3 PCB terminal	12.22 A	220 W	16.66 A	300 W	127.3 x 76.5 x 36.6	
	MDS-300APB18	AB			12.22 A	220 W	16.66 A	300 W	127.3 x 76.5 x 36.6	
	MDS-040APS24B	A	JST B2P3-VH	JST B4P-VH	24 V	1.67 A	40 W	-	-	76.2 x 50.8 x 23
	MDS-065APS24B	A	JST B2P3-VH	JST B4P-VH		2.71 A	65 W	-	-	101.6 x 50.8 x 30
	MDS-100APS24B	A	JST B2P3-VH	JST B8P-VH		4.17 A	100 W	-	-	127 x 76.2 x 31
	MDS-100BPS24B	A	JST B2P3-VH	JST B4P-VH		3.3 A	80 W	4.2 A	100 W	101.6 x 50.8 x 31.8
	MDS-250APB24	AA	Molex 171813-9998	M3 PCB terminal		6.25 A	150 W	10.41 A	250 W	127.3 x 76.5 x 36.6
	MDS-250APB24	AB				6.25 A	150 W	10.41 A	250 W	127.3 x 76.5 x 36.6
	MDS-300APB24	AA	Molex 26-62-4030	M3 PCB terminal		10.0 A	240 W	12.5 A	300 W	127.3 x 76.5 x 36.6
	MDS-300APB24	AE				10.0 A	240 W	12.5 A	300 W	127.3 x 76.5 x 36.6
	MDS-400APB24	AA	Molex 171813-9998	M3 PCB terminal		8.33 A	200 W	16.66 A	400 W	127.3 x 76.5 x 36.6
	MDS-400APB24	AB				8.33 A	200 W	16.66 A	400 W	127.3 x 76.5 x 36.6
	MDS-200APB36	AA	Molex 171813-9998	JST B4P-VH	36 V	3.33 A	120 W	5.56 A	200 W	101.9 x 51.1 x 36.6
MDS-300APB48	AA	Molex 26-62-4030	M3 PCB terminal	48 V	5.0 A	240 W	6.25 A	300 W	127.3 x 76.5 x 36.6	
MDS-300APB48	AB			5.0 A	240 W	6.25 A	300 W	127.3 x 76.5 x 36.6		
MDS-400AUS19	BA	Deca T33-BM1103A301	Deca T33-BM1104A301	19 V	15.8 A	300 W	21.1 A	400 W	198 x 97 x 41.5	
MDS-400AUS24	BA			24 V	12.5 A	300 W	16.67 A	400 W	198 x 97 x 41.5	
MDS-400AUS30	BA			30 V	11.67 A	300 W	13.3 A	400 W	198 x 97 x 41.5	
 <ul style="list-style-type: none"> <li>High power density in a small footprint and low profile</li> </ul>	MEP-120A12J	BNA	JST B2P3-VH	JST B4P-VH	12 V	9.5 A	114 W	-	-	76.2 x 50.8 x 31
	MEP-200A12J	BNA	JST B2P3-VH	JST B6P-VH-B		16.67 A*	200 W*	16.67 A	200 W	101.6 x 50.8 x 28.5
	NEW MEP-500A12J	BRA	JST B2P3-VH	M4 PCB terminal	25.0 A	300 W	41.7 A	500 W	127 x 76.2 x 33.1	
	MEP-120A15J	BNA	JST B2P3-VH	JST B4P-VH	15 V	8.0 A	120 W	-	-	76.2 x 50.8 x 31
	NEW MEP-500A18J	BRA	JST B2P3-VH	M4 PCB terminal	18 V	16.7 A	300 W	27.8 A	500 W	127 x 76.2 x 33.1
	MEP-120A18J	BNA	JST B2P3-VH	JST B4P-VH	18 V	6.67 A	120 W	-	-	76.2 x 50.8 x 31
	MEP-120A24J	BNA	JST B2P3-VH	JST B4P-VH	24 V	5.0 A	120 W	-	-	76.2 x 50.8 x 31
	MEP-200A24J	BNA	JST B2P3-VH	JST B6P-VH-B		8.34 A*	200 W*	8.34 A	200 W	101.6 x 50.8 x 28.5
	NEW MEP-500A24J	BRA	JST B2P3-VH	M4 PCB terminal		12.5 A	300 W	20.9 A	501 W	127 x 76.2 x 33.1
	NEW MEP-600A24J	BRA	JST B2P3-VH	M4 PCB terminal		18.75 A	450 W	25.0 A	600 W	127 x 76.2 x 39
MEP-200A48J	BNA	JST B2P3-VH	JST B6P-VH-B	48 V	4.17 A*	200 W*	4.17 A	200 W	101.6 x 50.8 x 28.5	
NEW MEP-500A48J	BRA	JST B2P3-VH	M4 PCB terminal		6.25 A	300 W	10.5 A	504 W	127 x 76.2 x 33.1	
 <ul style="list-style-type: none"> <li>U-Frame outline offers convection or forced air cooling</li> </ul>	MEU-650A12T	AAA	DG128-75-03P-14-1001A(H)	M4 PCB terminal	12 V	33.4 A	400 W	50.0 A	600 W	152.4 x 101.6 x 40
	MEU-600C24T	AAA	Anytek YK4020323200G	M5 PCB terminal	24 V	25.0 A	600 W	-	-	203.2 x 127 x 40
	MEU-650A24T	AAA	DG128-75-03P-14-1001A(H)	M4 PCB terminal		18.75 A	450 W	27.1 A	650 W	152.4 x 101.6 x 40
	MEU-600C48T	AAA	Anytek YK4020323200G	M5 PCB terminal	48 V	12.5 A	600 W	-	-	203.2 x 127 x 40
	MEU-650A48T	AAA	DG128-75-03P-14-1001A(H)	M4 PCB terminal		9.375 A	450 W	13.6 A	650 W	152.4 x 101.6 x 40


\*Refer to technical datasheet

## Enclosed Power Supplies

Series	Model Name	CC Code	Input Terminal	Output Terminal	Output				Dimensions (mm) (L x W x H)	
					Voltage	Convection		Forced Air		
						Current	Power	Current		Power
<b>MDS</b>  • General use for medical application	MDS-250ADB12	AA	Molex 26-62-4030	M3 PCB terminal	18 V	11.25 A	135 W	20.84 A	250 W	140 × 88.9 × 44.4
	MDS-250ADB12	AB				11.25 A	135 W	20.84 A	250 W	140 × 88.9 × 44.4
	MDS-300ADB12	AA				15.83 A	190 W	25.0 A	300 W	140 × 88.9 × 44.4
	MDS-400ADB12	AA	Molex 171813-9998	M3 PCB terminal	-	-	33.33 A	400 W	140 × 88.9 × 44.4	
	MDS-300ADB18	AA	Molex 171813-9998	M3 PCB terminal	18 V	10.55 A	190 W	16.66 A	300 W	140 × 88.9 × 44.4
	MDS-300ADB18	AB				10.55 A	190 W	16.66 A	300 W	140 × 88.9 × 44.4
	MDS-250ADB24	AA	Molex 171813-9998	M3 PCB terminal	24 V	5.62 A	135 W	10.41 A	250 W	140 × 88.9 × 44.4
	MDS-300ADB24	AA	Molex 26-62-4030	M3 PCB terminal		8.75 A	210 W	12.5 A	300 W	140 × 88.9 × 44.4
	MDS-300ADB24	AB		M3 PCB terminal		8.75 A	210 W	12.5 A	300 W	140 × 88.9 × 44.4
	MDS-400ADB24	AA	Molex 171813-9998	M3 PCB terminal		-	-	16.67 A	400 W	140 × 88.9 × 44.4
	MDS-400ADB24	AB		M3 PCB terminal	-	-	16.67 A	400 W	140 × 88.9 × 44.4	
	MDS-300ADB48	AA	Molex 26-62-4030	M3 PCB terminal	48 V	4.375 A	210 W	6.25 A	300 W	140 × 88.9 × 44.4
MDS-300ADB48	AB	4.375 A				210 W	6.25 A	300 W	140 × 88.9 × 44.4	
<b>MEP</b>  • High power density in a small footprint and low profile	MEP-200A12J	CNA	JST B2P3-VH	JST B6P-VH-B	12 V	16.67 A*	200 W*	16.67 A	200 W	111.2 × 62.8 × 32.5
	MEP-200A24J	CNA	JST B2P3-VH	JST B6P-VH-B	24 V	8.34 A*	200 W*	8.34 A	200 W	111.2 × 62.8 × 32.5
	MEP-200A48J	CNA	JST B2P3-VH	JST B6P-VH-B	48 V	4.17 A*	200 W*	4.17 A	200 W	111.2 × 62.8 × 32.5
<b>MEB</b>  • Intelligent fan speed control	MEB-750A12B	AAA	TU-301-SP-SA-AD2(D)V0	M5 PCB terminal	12 V	-	-	58.4 A	700 W	177.8 × 101.6 × 40
	MEB-750A12T	AAA	Dinkle DT-2G-B95W-03	M5 PCB terminal		-	-	58.4 A	700 W	177.8 × 101.6 × 40
	MEB-500A24F	AA	Deca T24-EO3103A302	Deca DT-65-C14W-02	24 V	-	-	21.0 A	500 W	165.3 × 85.2 × 41
	MEB-750A24B	AAA	TU-301-SP-SA-AD2(D)V0	M5 PCB terminal		-	-	31.25 A	750 W	177.8 × 101.6 × 40
	MEB-750A24T	AAA	Dinkle DT-2G-B95W-03	M5 PCB terminal		-	-	31.25 A	750 W	177.8 × 101.6 × 40
	MEB-1K2A24T	ABA	Anytek YK50A0323009G	M5 PCB terminal		-	-	50.0 A	1,200 W	204 × 127 × 40.5
	MEB-1K5A24T	AAA	Deca T25-E03H03	Anytek YK50A0423009G		-	-	60.0 A	1,500 W	204 × 127 × 40.5
	MEB-2K5A24T	NAA	Anytek YK50A0323009G	Busbar		-	-	104.2 A	2,500 W	267.5 × 127 × 40.5
	MEB-2K5A24T	RAA				-	-	104.2 A	2,500 W	267.5 × 127 × 40.5
	MEB-2K5A36T	NAA	Anytek YK50A0323009G	Busbar	36 V	-	-	69.5 A	2,500 W	267.5 × 127 × 40.5
	MEB-2K5A36T	RAA				-	-	69.5 A	2,500 W	267.5 × 127 × 40.5
	MEB-1K2A42T	ABA	Anytek YK50A0323009G	M5 PCB terminal	42 V	-	-	28.5 A	1,200 W	204 × 127 × 40.5
	MEB-750A48B	AAA	TU-301-SP-SA-AD2(D)V0	M5 PCB terminal	48 V	-	-	15.63 A	750 W	177.8 × 101.6 × 40
	MEB-750A48T	AAA	Dinkle DT-2G-B95W-03	M5 PCB terminal		-	-	15.63 A	750 W	177.8 × 101.6 × 40
	MEB-1K2A48T	ABA	Anytek YK50A0323009G	M5 PCB terminal		-	-	25.0 A	1,200 W	204 × 127 × 40.5
MEB-1K5A48T	AAA	Deca T25-E03H03	Anytek YK50A0423009G	-		-	31.25 A	1,500 W	204 × 127 × 40.5	
MEB-2K5A48T	NAA	Anytek YK50A0323009G	Busbar	-		-	52.1 A	2,500 W	310.8 × 127 × 40.5	
MEB-2K5A48T	RAA			-		-	52.1 A	2,500 W	310.8 × 127 × 40.5	

\*Refer to technical datasheet

## ATX Power Supply

Series	Model Name	CC Code	Input Terminal	Output Terminal	Output		Output Power	Dimensions (mm) (L x W x H)
					Voltage	Current		
 <ul style="list-style-type: none"> <li>ATX power supply with built-in fan cooling</li> </ul>	MDS-350AD701	AA	C14	Wire harness	+3.3 V, +5 V, +5 V <sub>SB</sub> , +12 V <sub>1</sub> , +12 V <sub>2</sub> , -12 V, -5 V	8.0 A, 9.0 A, 1.25 A, 8.0 A, 8.0 A, 0.25 A, 0.1 A	350 W	194 × 100 × 40.5

## Adapters

Series	Model Name	CC Code	Output			Dimensions (mm) (L x W x H)
			Voltage	Current	Power	
 <ul style="list-style-type: none"> <li>General adapter for medical application</li> </ul>	MDS-005AAS05	AU	5 V	1.0 A	5 W	56.5 × 39.5 × 28
	MDS-005AAS05	AV		1.0 A	5 W	56.5 × 39.5 × 28
	MDS-005AAS05	BU		1.0 A	5 W	56.5 × 39.5 × 28
	MDS-005AAS05	BV		1.0 A	5 W	56.5 × 39.5 × 28
	MDS-005AAS05	CU		1.0 A	5 W	56.5 × 39.5 × 28
	MDS-005AAS05	CV		1.0 A	5 W	56.5 × 39.5 × 28
	MDS-030AAC05	AA	3.0 A	15 W	88 × 53.5 × 27.5	
	MDS-030AAC05	AB				
	MDS-030AAC05	AC				
	MDS-030AAC12	AA	12 V	2.0 A	24 W	88 × 53.5 × 27.5
	MDS-030AAC12	AB				
	MDS-030AAC12	AC				
	MDS-030AAC12	BB				
	MDS-030AAC15	AA	15 V	2.0 A	30 W	88 × 53.5 × 27.5
	MDS-030AAC15	AB				
	MDS-030AAC15	AC				
	MDS-030AAC15	AD				
	MDS-030AAC15	BC				
	MDS-030AAC15	BD				
	MDS-030AAC24	AA	24 V	1.25 A	30 W	56.5 × 39.5 × 28
MDS-030AAC24	AB	1.25 A		30 W	56.5 × 39.5 × 28	
MDS-030AAC24	AC	1.25 A		30 W	56.5 × 39.5 × 28	
MDS-090BAS24	AB	3.75 A		90 W	150 × 75 × 40	
 <ul style="list-style-type: none"> <li>New generation adapter with compact size and high power density design</li> </ul>	MEA-065A12C	A-A	12 V	5.0 A	60 W	115 × 50 × 29
	MEA-065A12C	6-A		5.0 A	60 W	115 × 50 × 29
	NEW MEA-065A12B	A-A		5.0 A	60 W	120 × 50 × 32
	MEA-090A12C	V-A	15 V	6.75 A	81 W	135 × 62 × 32
	NEW MEA-160A12C	GAA		12.5 A	150 W	150 × 65 × 32
	MEA-065A15C	A-A		4.33 A	65 W	115 × 50 × 29
	NEW MEA-065A15B	A-A	4.33 A	65 W	120 × 50 × 32	
	MEA-090A15C	V-A	6.0 A	90 W	135 × 62 × 32	
	NEW MEA-160A15C	GAA	10.67 A	160 W	150 × 65 × 32	
	MEA-065A19C	A-A	19 V	3.42 A	65 W	115 × 50 × 29
	NEW MEA-065A19B	A-A		3.42 A	65 W	120 × 50 × 32
	MEA-090A19C	V-A		4.74 A	90 W	135 × 62 × 32
	NEW MEA-160A19C	GAA	8.42 A	160 W	150 × 65 × 32	
	MEA-065A24C	A-A	24 V	2.71 A	65 W	115 × 50 × 29
	MEA-065A24C	6-A		2.71 A	65 W	115 × 50 × 29
	NEW MEA-065A24B	A-A		2.71 A	65 W	120 × 50 × 32
	MEA-090A24C	V-A		3.75 A	90 W	135 × 62 × 32
	NEW MEA-160A24C	GAA		6.67 A	160 W	150 × 65 × 32
MEA-250A24C	H-A	10.42 A		250 W	200 × 100 × 43	
NEW MEA-300A24C	H-A	12.5 A		300 W	200 × 100 × 43	

## Configurable Power Supplies

Delta has leveraged its rich development and manufacturing experience to develop the MEG-A Series AC-DC configurable power supplies. Their flexible modular design, 2V to 60V adjustable output voltage, and multiple sets of output power combinations make it possible for different configurations to satisfy different equipment requirements while also saving on space. With these power supplies, outputs can be monitored and adjusted accurately via various digital communication interfaces. Their intelligent and flexible design mean that all of your needs can be met.

### Applications



X-Ray



CT Scan



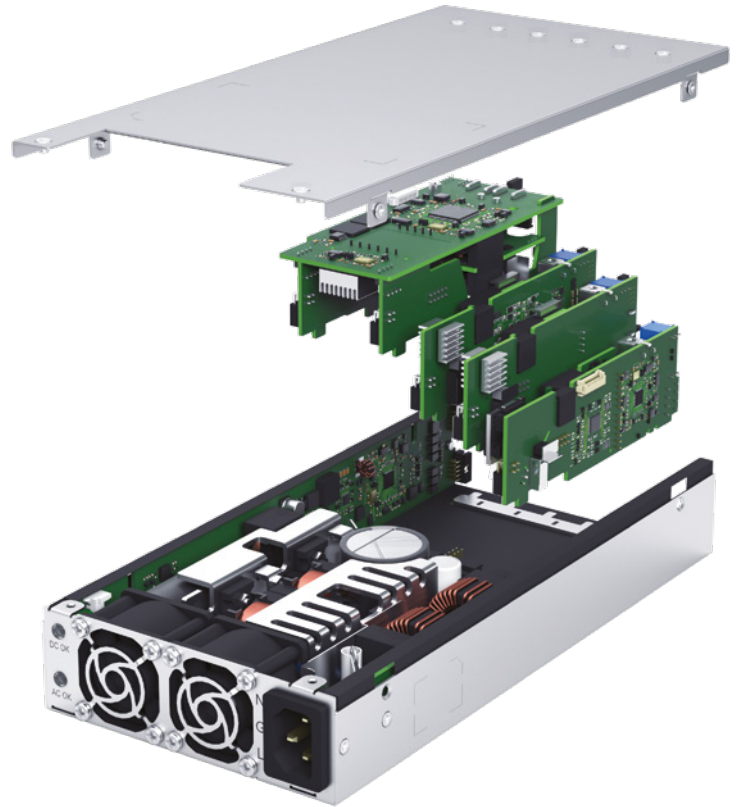
IVD



Ultrasound



Da Vinci Robot



### Models



**MEG-700A3**  
(3 slots)



**MEG-1K2A4**  
(4 slots)



**MEG-2K1A6**  
(6 slots)



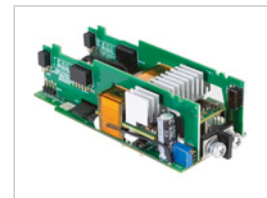
**MEG-3K0A9**  
(9 slots)

### Output Modules

#### • Single Output Module



**Single Slot**  
(Max. 300 W output)



**Triple Slot**  
(Max. 1,200 W output)

#### • Dual Output Module



**Single Slot**  
(Max. 240 W output)

Configure Your  
Power Supply



Series	Model Name	Output Slots	Output Voltage	Output Power	Dimensions (mm) (L x W x H)
<b>MEG-A</b> • Configurable power supplies with flexible modular design and adjustable output voltage range from 2-60V	MEG-700A3	3 slots	<b>Single Output</b> Single slot: 2 V - 60 V Triple slot: 8 V - 60 V	700 W	215 × 88.9 × 41.5
	MEG-1K2A4	4 slots		1,200 W	254 × 88.9 × 40.5
	MEG-2K1A6	6 slots	<b>Dual Output</b> Single slot: 3.3 V - 30 V	2,100 W	254 × 127 × 40.5
	MEG-3K0A9	9 slots		3,000 W	254 × 181 × 40.5

# Global Operation & Service

## Asia

### Delta Electronics, Inc.

3 Tungyuan Road, Chungli Industrial Zone,  
Taoyuan County 32063, Taiwan, R.O.C.

TEL: +886 3 452 6107  
FAX: +886 3 452 7314

### Delta Electronics (Shanghai) Co., Ltd China Headquarters

No. 182 Minyu Road, Pudong,  
Shanghai, P.R.C. 201209

TEL: +86 21 6872 3988  
FAX: +86 21 6872 3996

### Delta Electronics (Thailand) PCL.

909 Soi 9, Moo 4, Bangpoo Industrial Estate  
(E.P.Z.), Pattana 1 Rd., T. Phrakasa, A. Muang,  
Samutprakarn 10280, Thailand

TEL: +66 2 709 2800  
FAX: +66 2 709 2827

### Delta Electronics India Pvt. Ltd.

Plot No. 43, Sector - 35, HSIIDC,  
Gurgaon, Haryana 122001

TEL: +91 124 4874 900  
+91 124 4169 040  
FAX: +91 124 4874 945

### Delta Electronics (Japan), Inc.

2-1-14 Minato-ku Shibadaimon,  
Tokyo, 105-0012, Japan

TEL: +81 3 5733 1111  
FAX: +81 3 5733 1211

### Delta Electronics (Korea), Inc.

1504, Byucksan Digital Valley 6-Cha,  
Gasan-dong, Geumcheon-gu, Seoul,  
153-704, Korea

TEL: +82 2 515 5303  
+82 2 515 5305  
FAX: +82 2 515 5302

### Delta Electronics (Australia) Pty Ltd

20-21, 45 Normanby Rd.  
Nothing Hill, VIC 3168, Australia

TEL: +61 9543 3720  
FAX: +61 9544 0606

### Delta Energy Systems (Singapore) Pte Ltd

4 Kaki Bukit Avenue 1  
#05-04, Singapore 417939

TEL: +65 6747 5155  
FAX: +65 6744 9228

## North America

### Delta Electronics (Americas) Ltd. North American Headquarters

46101 Fremont Blvd.  
Fremont, CA 94538, U.S.A.

TEL: +1 510 668 5100  
FAX: +1 510 668 0680

## Central & South America

### Delta Electronics International Mexico S.A. de C.V.

Centrum Park, Av. Gustavo Baz Prada 309  
Edificio E Planta Baja, Col. La Loma, C.P.

54030 Tlalnepantla, Estado de México  
TEL: +52 55 3603 9200

### Delta Electronics (Brasil) Ltda

Estrada Velha Rio São Paulo, 5300-  
Eugênio de Melo, 12247-001-São José dos  
Campos-SP- Brasil

TEL: +55 12 3932 2300

## Europe

### Delta Electronics (Netherlands) B.V. EMEA Headquarters

Zandsteen 15  
2132 MZ Hoofddorp, The Netherlands

TEL: +31 20 800 3900

Automotive Campus 260  
5708 JZ Helmond, The Netherlands

TEL: +31 40 800 3900

### Delta Greentech Elektronik (Turkey)

Şerifali Mah. Hendem Cad. Kule Sok. No: 16-A,  
Ümraniye, İstanbul, Turkey

TEL: +90 216 499 99 10  
FAX: +90 216 499 80 70



[www.DeltaPSU.com](http://www.DeltaPSU.com)

February 2025 (Rev. 00) - All information and specifications are subjected to change without prior notice.