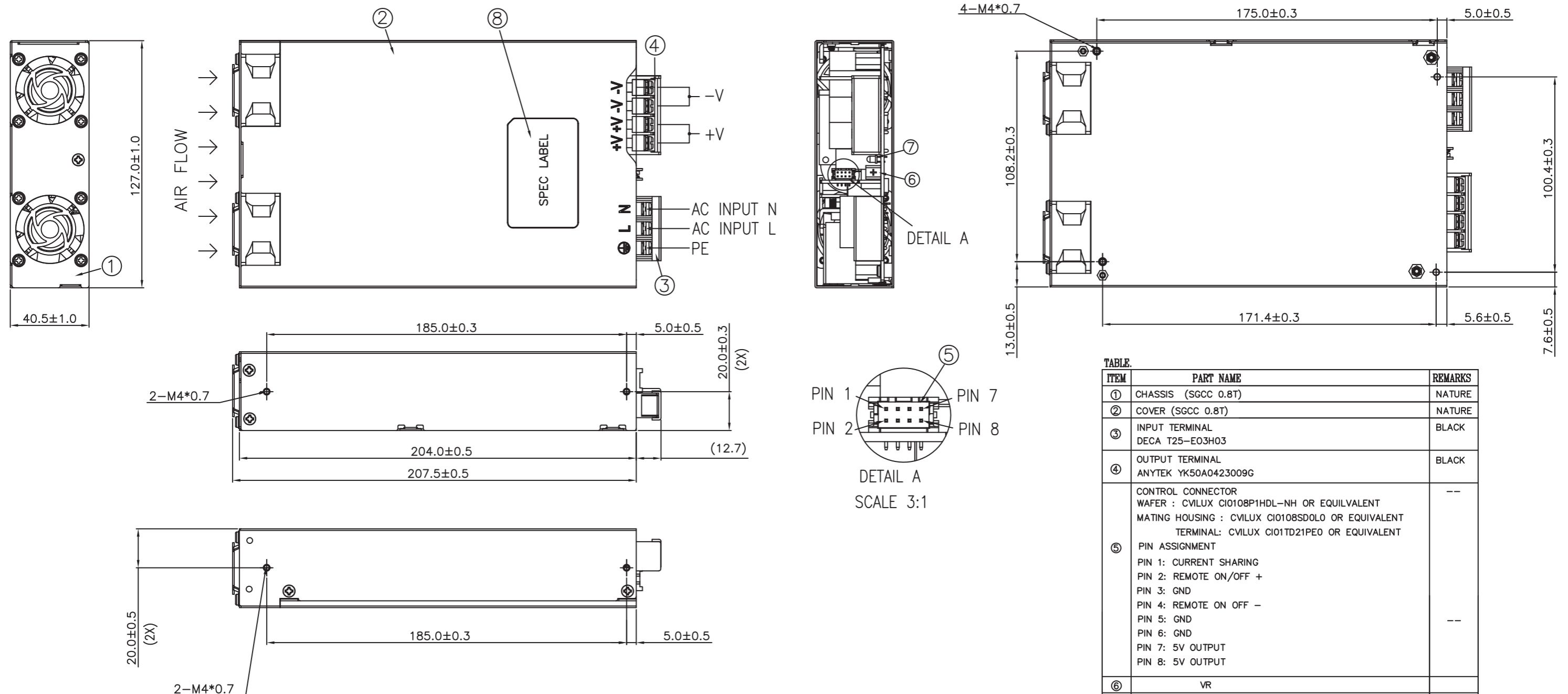


PMR

Panel Mount Power Supply

PMR-□V1K5W1BT□



ITEM	PART NAME	REMARKS
①	CHASSIS (SGCC 0.8T)	NATURE
②	COVER (SGCC 0.8T)	NATURE
③	INPUT TERMINAL DECA T25-E03H03	BLACK
④	OUTPUT TERMINAL ANYTEK YK50A0423009G	BLACK
⑤	CONTROL CONNECTOR WAFER : CVLUX CI0108P1HDL-NH OR EQUIVALENT MATING HOUSING : CVLUX CI0108SD0L0 OR EQUIVALENT TERMINAL: CVLUX CI01TD21PE0 OR EQUIVALENT PIN ASSIGNMENT PIN 1: CURRENT SHARING PIN 2: REMOTE ON/OFF + PIN 3: GND PIN 4: REMOTE ON OFF - PIN 5: GND PIN 6: GND PIN 7: 5V OUTPUT PIN 8: 5V OUTPUT	--
⑥	VR	
⑦	LED	GREEN
⑧	SPEC LABEL	WHITE